



# ITT

## Goulds Pumps

---

# Installation, Operation, and Maintenance Manual

**Model 3796 i-FRAME**



*Engineered for life*



# Table of Contents

<b>Introduction and Safety</b> .....	4
Introduction.....	4
Requesting other information.....	4
Inspect the package.....	4
Inspect the unit.....	4
Product warranty.....	4
Safety.....	5
Safety terminology and symbols.....	5
Environmental safety.....	6
User health and safety.....	7
Safety regulations for Ex-approved products in potentially explosive atmospheres.....	8
Product approval standards.....	10
Certificates of conformance.....	11
<b>Transportation and Storage</b> .....	17
Pump handling.....	17
Lifting methods.....	17
Pump storage requirements.....	19
Frostproofing.....	19
<b>Product Description</b> .....	20
General description 3796.....	20
Part description 3796.....	21
General description i-ALERT™ Condition Monitor.....	22
Nameplate information.....	23
<b>Installation</b> .....	26
Preinstallation.....	26
Pump location guidelines.....	26
Foundation requirements.....	27
Piping checklists.....	28
Baseplate-mounting procedures.....	32
Prepare the baseplate for mounting.....	32
Install the baseplate using shims or wedges.....	32
Install the baseplate using jackscrews.....	33
Install the baseplate using spring mounting.....	35
Install the baseplate using stilt mounting.....	36
Baseplate-leveling worksheet.....	38
Install the pump, driver, and coupling.....	39
Pump-to-driver alignment.....	39
Alignment checks.....	39
Permitted indicator values for alignment checks.....	40
Alignment measurement guidelines.....	40
Attach the dial indicators for alignment.....	40
Pump-to-driver alignment instructions.....	41
C-face adapter.....	44
Grout the baseplate.....	44
<b>Commissioning, Startup, Operation, and Shutdown</b> .....	46
Preparation for startup.....	46
Remove the coupling guard.....	46
Check the rotation.....	49

Impeller-clearance check.....	49
Impeller clearances (3796).....	49
Impeller-clearance setting.....	50
Set the impeller clearance - dial indicator method (all except CV 3196) .....	50
Set the impeller clearance - feeler gauge method (all except CV 3196) .....	51
Couple the pump and driver.....	51
Install the coupling guard.....	52
Bearing lubrication.....	56
Shaft-sealing options.....	58
Mechanical seal options.....	58
Connection of sealing liquid for mechanical seals.....	58
Packed stuffing box option.....	58
Connection of sealing liquid for a packed stuffing box.....	58
Pump priming.....	59
Pump priming with the suction supply below the pump (3796).....	59
Start the pump.....	60
Activate the i-ALERT™ Condition Monitor.....	60
i-ALERT™ Condition Monitor routine operation.....	61
Pump operation precautions.....	62
Shut down the pump.....	62
Deactivate the i-ALERT™ Condition Monitor.....	63
Reset the i-ALERT™ Condition Monitor.....	63
Make the final alignment of the pump and driver.....	63
<b>Maintenance.....</b>	<b>64</b>
Maintenance schedule.....	64
Bearing maintenance.....	65
Lubricating-oil requirements.....	65
Regrease the grease-lubricated bearings .....	66
Lubricate the bearings after a shutdown period.....	67
Shaft seal maintenance.....	67
Mechanical-seal maintenance.....	67
Packed stuffing-box maintenance.....	68
Disassembly.....	68
Disassembly precautions.....	68
Tools required.....	68
Drain the pump.....	69
Remove the coupling.....	69
Remove the back pull-out assembly.....	69
Remove the coupling hub.....	72
Impeller removal.....	72
Seal-chamber cover removal.....	73
Remove the seal-chamber cover (3196, CV 3196, HT 3196, LF 3196, 3796) .....	73
Remove the stuffing-box cover (3196, CV 3196, HT 3196, LF 3196, 3796) .....	74
Remove the frame adapter (MTi, LTi) .....	75
Remove the inboard labyrinth oil seal.....	75
Power-end disassembly.....	75
Disassemble the bearing frame.....	80
Guidelines for i-ALERT™ Condition Monitor disposal.....	81
Disassemble the C-face adapter.....	81
Pre-assembly inspections.....	82
Replacement guidelines.....	82
Shaft and sleeve replacement guidelines.....	83
Bearing-frame inspection.....	83
C-face adapter inspection.....	84
Seal chamber and stuffing box cover inspection.....	85
Bearings inspection.....	86



Bearing-housing inspection.....	87
Bearing fits and tolerances.....	88
Reassembly.....	88
Assemble the rotating element and the bearing frame ( STi and MTi ) .....	88
Assemble the rotating element and the bearing frame ( STi and MTi with duplex bearings).....	91
Assemble the rotating element and the bearing frame ( LTi ).....	94
Assemble the frame.....	97
INPRO labyrinth oil seal description.....	100
Assemble the INPRO labyrinth oil seal.....	100
Assemble the C-face adapter.....	101
Shaft sealing.....	101
Install the impeller.....	106
Attach the i-ALERT™ Condition Monitor to the pump.....	108
Post-assembly checks.....	109
Install the back pull-out assembly (except HT 3196) .....	109
Assembly references.....	111
Spare parts.....	112
Interchangeability drawings.....	113
3796 interchangeability.....	113
Lubrication conversion.....	113
Frame lubrication conversion.....	113
Convert from greased-for-life or regreaseable to oil-lubricated bearings.....	114
Conversion from flood-oil to pure-oil mist.....	115
Convert from flood oil to regreaseable.....	115
<b>Troubleshooting.....</b>	<b>116</b>
Operation troubleshooting.....	116
Alignment troubleshooting.....	117
Assembly troubleshooting.....	117
i-ALERT™ Condition Monitor troubleshooting.....	118
<b>Parts Listings and Cross-Sectional Drawings.....</b>	<b>119</b>
Parts list.....	119
<b>Other Relevant Documentation or Manuals.....</b>	<b>130</b>
For additional documentation.....	130

# Introduction and Safety

## Introduction

### Purpose of this manual

The purpose of this manual is to provide necessary information for:

- Installation
- Operation
- Maintenance



---

### CAUTION:

Read this manual carefully before installing and using the product. Improper use of the product can cause personal injury and damage to property, and may void the warranty.

---

### NOTICE:

Save this manual for future reference, and keep it readily available at the location of the unit.

---

## Requesting other information

Special versions can be supplied with supplementary instruction leaflets. See the sales contract for any modifications or special version characteristics. For instructions, situations, or events that are not considered in this manual or in the sales documents, please contact the nearest ITT representative.

Always specify the exact product type and identification code when requesting technical information or spare parts.

## Inspect the package

1. Inspect the package for damaged or missing items upon delivery.
2. Note any damaged or missing items on the receipt and freight bill.
3. File a claim with the shipping company if anything is out of order.  
If the product has been picked up at a distributor, make a claim directly to the distributor.

## Inspect the unit

1. Remove packing materials from the product.  
Dispose of all packing materials in accordance with local regulations.
2. Inspect the product to determine if any parts have been damaged or are missing.
3. If applicable, unfasten the product by removing any screws, bolts, or straps.  
For your personal safety, be careful when you handle nails and straps.
4. Contact your sales representative if anything is out of order.

## Product warranty

### Coverage

ITT undertakes to remedy faults in products from ITT under these conditions:

- The faults are due to defects in design, materials, or workmanship.
- The faults are reported to an ITT representative within the warranty period.
- The product is used only under the conditions described in this manual.
- The monitoring equipment incorporated in the product is correctly connected and in use.
- All service and repair work is done by ITT-authorized personnel.
- Genuine ITT parts are used.
- Only Ex-approved spare parts and accessories authorized by ITT are used in Ex-approved products.

## Limitations

The warranty does not cover faults caused by these situations:

- Deficient maintenance
- Improper installation
- Modifications or changes to the product and installation made without consulting ITT
- Incorrectly executed repair work
- Normal wear and tear

ITT assumes no liability for these situations:

- Bodily injuries
- Material damages
- Economic losses

## Warranty claim

ITT products are high-quality products with expected reliable operation and long life. However, should the need arise for a warranty claim, then contact your ITT representative.

## Safety



---

### WARNING:

- The operator must be aware of safety precautions to prevent physical injury.
  - Any pressure-containing device can explode, rupture, or discharge its contents if it is over-pressurized. Take all necessary measures to avoid over-pressurization.
  - Operating, installing, or maintaining the unit in any way that is not covered in this manual could cause death, serious personal injury, or damage to the equipment. This includes any modification to the equipment or use of parts not provided by ITT. If there is a question regarding the intended use of the equipment, please contact an ITT representative before proceeding.
  - Installation, Operation, and Maintenance manuals clearly identify accepted methods for disassembling units. These methods must be adhered to. Trapped liquid can rapidly expand and result in a violent explosion and injury. Never apply heat to impellers, propellers, or their retaining devices to aid in their removal.
  - Do not change the service application without the approval of an authorized ITT representative.
  - Never operate the pump below the minimum rated flow, when dry, or without prime.
  - Never operate the pump without safety devices installed.
  - Never operate the pump with the discharge valve closed.
  - Never operate the pump with the suction valve closed.
- 




## Safety terminology and symbols

### About safety messages

It is extremely important that you read, understand, and follow the safety messages and regulations carefully before handling the product. They are published to help prevent these hazards:

- Personal accidents and health problems
- Damage to the product
- Product malfunction

**Hazard levels**

Hazard level	Indication
 <p><b>DANGER:</b></p>	A hazardous situation which, if not avoided, will result in death or serious injury
 <p><b>WARNING:</b></p>	A hazardous situation which, if not avoided, could result in death or serious injury
 <p><b>CAUTION:</b></p>	A hazardous situation which, if not avoided, could result in minor or moderate injury
<p><b>NOTICE:</b></p>	<ul style="list-style-type: none"> <li>• A potential situation which, if not avoided, could result in undesirable conditions</li> <li>• A practice not related to personal injury</li> </ul>

**Hazard categories**

Hazard categories can either fall under hazard levels or let specific symbols replace the ordinary hazard level symbols.

Electrical hazards are indicated by the following specific symbol:



**Electrical Hazard:**

These are examples of other categories that can occur. They fall under the ordinary hazard levels and may use complementing symbols:

- Crush hazard
- Cutting hazard
- Arc flash hazard

**Environmental safety**

**The work area**

Always keep the pump station clean to avoid and/or discover emissions.

**Recycling guidelines**

Always recycle according to these guidelines:

1. If the unit or parts are accepted by an authorized recycling company, then follow local recycling laws and regulations.
2. If the unit or parts are not accepted by an authorized recycling company, then return them to the nearest ITT representative.

**Waste and emissions regulations**

Observe these safety regulations regarding waste and emissions:

- Dispose appropriately of all waste.
- Handle and dispose of the pumped fluid in compliance with applicable environmental regulations.
- Clean up all spills in accordance with safety and environmental procedures.
- Report all environmental emissions to the appropriate authorities.

## Reference for electrical installation

For electrical installation requirements, consult your local electric utility.

## User health and safety

### Safety equipment

Use safety equipment according to the company regulations. Use this safety equipment within the work area:

- Helmet
- Safety goggles (with side shields)
- Protective shoes
- Protective gloves
- Gas mask
- Hearing protection

### The work area

Observe these regulations and warnings in the work area:

- Always keep the work area clean.
- Pay attention to the risks presented by gas and vapors in the work area.
- Avoid all electrical dangers. Pay attention to the risks of electric shock or arc flash hazards.

### Product and product positioning requirements

Observe these requirements for the product and the product positioning:



#### **WARNING:**

- Only use fasteners of the proper size and material.
  - Replace all corroded fasteners.
  - Make sure that all fasteners are properly tightened and that there are no missing fasteners.
- 
- Never operate a pump unless safety devices are installed.
  - Never operate a pump unless a coupling guard is installed.
  - Never force the piping in order to make a connection with a pump.
  - Never start a pump without the proper priming.
  - Never start a pump without the proper liquid level in self-priming pumps.
  - Never run a pump below the minimum rated flow or with any suction or discharge valve closed.

### Electrical connections regulations

Electrical connections must be made by certified electricians in compliance with all international, national, state, and local regulations.

Observe these guidelines and warnings for electrical connections:

- Make sure that the product is isolated from the power supply and cannot be energized by mistake. This guideline also applies to the control circuit.
- Make sure that the thermal contacts are connected to a protection circuit according to the product approvals, and that they are in use.

### Earthing (grounding)

All electric equipment must be earthed (grounded). This rule applies to pumps and mixers as well as monitoring equipment.

### Precautions before work

Observe these safety precautions before you work with the product or are in connection with the product:

- Provide a suitable barrier around the work area, for example, a guard rail.
- Make sure that all safety guards are in place and secure.
- Make sure that the equipment is properly insulated when it operates at extreme temperatures.
- Allow all system and pump components to cool before you handle them.

- Make sure that you have a clear path of retreat.
- Make sure that the product cannot roll or fall over and injure people or damage property.
- Make sure that the lifting equipment is in good condition.
- Use a lifting harness, a safety line, and a breathing device as required.
- Make sure that the product is thoroughly clean.
- Make sure that there are no poisonous gases within the work area.
- Make sure that you have quick access to a first-aid kit.
- Disconnect and lock out power before servicing.
- Check the explosion risk before you weld or use electric hand tools.

## Precautions during work

Observe these safety precautions when you work with the product or are in connection with the product:

- Never work alone.
- Always wear protective clothing and hand protection.
- Stay clear of suspended loads.
- Always lift the product by its lifting device.
- Beware of the risk of a sudden start if the product is used with an automatic level control.
- Beware of the starting jerk, which can be powerful.
- Rinse the components in water after you disassemble the pump.
- Do not exceed the maximum working pressure of the pump.
- Do not open any vent or drain valve or remove any plugs while the system is pressurized. Make sure that the pump is isolated from the system and that pressure is relieved before you disassemble the pump, remove plugs, or disconnect piping.
- Never operate a pump without a properly installed coupling guard.
- Always bear in mind the risk of drowning, electrical accidents, and burn injuries.
- Never heat the condition monitor to temperatures in excess of 300°F (149°C).
- Never expose the condition monitor to open flames.
- Do not use the condition monitor in atmospheres containing acetic acid.
- Always wear protective gloves. The pump and condition monitor can be hot.

## Clean chemicals from the eyes

1. Hold your eyelids apart forcibly with your fingers.
2. Rinse the eyes for at least 15 minutes.  
Use an eyewash or running water.
3. Seek medical attention.

## Clean chemicals from the body

1. Remove contaminated clothing.
2. Wash the skin with soap and water for at least one minute.
3. Seek medical attention, if required.

## Safety regulations for Ex-approved products in potentially explosive atmospheres

### Description of ATEX

The ATEX directives are a specification enforced in Europe for electrical and non-electrical equipment. ATEX deals with the control of potentially explosive atmospheres and the standards of equipment and protective systems used within these atmospheres. The relevance of the ATEX requirements is not limited to Europe. You can apply these guidelines to equipment installed in any potentially explosive atmosphere.

## General guidelines

ATEX compliance is only fulfilled when the pump is operated within its intended use, for example within its intended hydraulic range. The conditions of the service must not be changed without approval of an authorized ITT representative. When installing or maintaining ATEX-compliant pumps, follow these guidelines:

- Always install ATEX-approved equipment in compliance with the directive and applicable standards (IEC/EN 60079–14).
- Do not install FM-approved products in locations that are classified as hazardous in the national electric code, ANSI/NFPA 70–2005.



### **WARNING:**

Installation, Operation, and Maintenance manuals clearly identify accepted methods for disassembling units. These methods must be adhered to. Trapped liquid can rapidly expand and result in a violent explosion and injury. Never apply heat to impellers, propellers, or their retaining devices to aid in their removal.

If there are any questions regarding these requirements, the intended use, or if the equipment requires modification, contact an ITT representative before you proceed.

## Personnel requirements

ITT disclaims all responsibility for work done by untrained and unauthorized personnel.

These are the personnel requirements for Ex-approved products in potentially explosive atmospheres:

- All work on the product must be carried out by certified electricians and ITT-authorized mechanics. Special rules apply to installations in explosive atmospheres.
- All users must know about the risks of electric current and the chemical and physical characteristics of the gas and/or vapor present in hazardous areas.
- The maintenance operation for Ex-approved products must be made in conformity to the international or national standards (IEC/EN 60079-17).

## Product and product handling requirements

These are the product and product handling requirements for Ex-approved products in potentially explosive atmospheres:

- Only use the product in accordance with the approved motor data stated on the nameplates.
- The Ex-approved product must never run dry during normal operation. Dry running during service and inspection is only permitted outside the classified area.
- Never start a pump without the proper priming.
- Before you start working with the product, make sure that the product and the control panel are isolated from the power supply and the control circuit, so they cannot be energized.
- Do not open the product while it is energized or in an explosive gas atmosphere.
- Make sure that thermal contacts are connected to a protection circuit according to the approval classification of the product.
- Intrinsically safe circuits are normally required for the automatic level-control system by the level regulator if mounted in zone 0.
- The yield stress of fasteners must be in accordance with the approval drawing and the product specification.
- Make sure that the equipment is properly maintained:
  - Monitor the pump components and the end temperature of the liquid.
  - Maintain proper bearing lubrication.
- Do not modify the equipment without approval from an authorized ITT representative.
- Only use parts that have been provided by an authorized ITT representative.

### Equipment for monitoring

For additional safety, use condition-monitoring devices. Condition-monitoring devices include but are not limited to these devices:

- Pressure gauges
- Flow meters
- Level indicators
- Motor load readings
- Temperature detectors
- Bearing monitors
- Leak detectors
- PumpSmart control system

## Product approval standards

### Regular standards

All standard products are approved according to CSA standards in Canada and UL standards in USA. The drive unit degree of protection follows IP68. See the nameplate for maximum submersion, according to standard IEC 60529.

All electrical ratings and performance of the motors comply with IEC 600341.

### Explosion-proofing standards

All explosion-proof products for use in explosive atmospheres are designed in compliance with one or more of the following approvals:

- EN, ATEX Directive 94/9/EC
- FM According to NEC
  - Class 1 Div 1 Groups “C”, and “D”
  - Class 2 Div 1 Groups “E”, “F”, and “G”
  - Class 3 Div 1 Hazardous Locations

#### ATEX/IECEX:

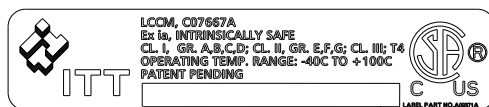
- Group: IIC
- Category: Ex ia
- Temperature Class: T4 (for ambients up to 100°C)
- ATEX Marking: Ex II 1 G



### CSA certification

Intrinsically safe for:

- Class I, Div. 1, Groups A, B, C, D
- Class II, Div. 1, Groups E, F, G
- Class III
- Certified to Canadian and US requirements




SERIAL NO& YEAR OF  
MANUFACTURE HERE.



## Certificates of conformance

### CSA Certificate




**CSA INTERNATIONAL**

# Certificate of Compliance

<b>Certificate:</b>	1992883	<b>Master Contract:</b>	236924
<b>Project:</b>	2254252	<b>Date Issued:</b>	2009/12/16
<b>Issued to:</b>	ITT Corporation 240 Fall St Seneca Falls, NY 13148 USA Attention: Anthony Stavale		

*The products listed below are eligible to bear the CSA Mark shown with adjacent indicators 'C' and 'US' for Canada and US or with adjacent indicator 'US' for US only or without either indicator for Canada only.*



D. Simpson, Certifier  
Issued by: D. Simpson, Certifier

**PRODUCTS**

**CLASS 2258 03** - PROCESS CONTROL EQUIPMENT - Intrinsically Safe and Non-Incendive Systems - For Hazardous Locations

**CLASS 2258 83** - PROCESS CONTROL EQUIPMENT-Intrinsically Safe and Non-Incendive - Systems-For Hazardous Locations-Certified to U.S. Standards

Class I, Division 1, Group A, B, C and D; Class II, Group E, F and G; Class III:

- Condition Monitor, Model LCCM, p/n C07667A, battery operated (non-replaceable, non-rechargeable), intrinsically safe, temperature code T4 (at max ambient of 100C).

**APPLICABLE REQUIREMENTS**

CAN/CSA-C22.2 No. 0-M91 - General Requirements – Canadian Electrical Code, Part II

CAN/CSA-C22.2 No.157-92 - Intrinsically Safe and Non-Incendive Equipment for Use in Hazardous Locations

UL Std No.913, Ed. 7 - Intrinsically Safe Apparatus and Associated Apparatus for Use in Class I, II and III, Division 1, Hazardous Locations

DQD 507 Rev. 2009-09-01



**Certificate:** 1992883

**Master Contract:** 236924

**Project:** 2254252

**Date Issued:** 2009/12/16

---





UL Std No. 969, 4th Edition - UL standard for safety marking and labeling systems

**MARKINGS**

- submitter's identification
- model designation
- date code or serial number
- Hazardous Location designations
- temperature code rating
- maximum ambient temperature
- the CSA Mark, with the C/US indicator
- the warning, WARNING: NOT FOR USE IN ATMOSPHERES CONTAINING ACETIC ACID
- the words "Ex ia" and "Intrinsically safe"



DQD 507 Rev. 2009-09-01

## ATEX notification

		
<b>DET NORSKE VERITAS</b>		
<b>PRODUCTION QUALITY ASSURANCE NOTIFICATION</b>		
[2]	<b>EQUIPMENT OR PROTECTED SYSTEM INTENDED FOR USE IN POTENTIALLY EXPLOSIVE ATMOSPHERES DIRECTIVE 94/9/EC</b>	
[3]	Notification Number:	<b>DNV-2008-OSL-ATEX-30303Q</b> Rev. 1
[4]	Equipment or Protective Systems or components as listed:	<b>Intrinsically safe equipment</b>  (The EC-Type Examination Certificates based on this notification are listed by the notified body)
[5]	Applicant –Manufacturer or Authorized Representative in the Community:	<b>ITT Industries, Goulds Pumps 204 Fall St., Seneca Falls, New York 13148 USA</b>
[6]	Manufacturer:	<b>ITT Industries, Goulds Pumps</b>
[7]	DNV, notified body number 0575 for Annex IV in accordance with Article 9 of the Council Directive 94/9/EC of 23 March 1994, notifies to the applicant that the actual manufacturer has a production quality system which complies to Annex IV of the Directive.	
[8]	This notification is based on audit report:	<b>2008-3354</b>  This notification can be withdrawn if the manufacturer no longer satisfies the requirements of Annex IV  <b>Results of periodical re-assessment of the manufacturing process is a part of this notification.</b>
[9]	This notification is valid until <b>2011-06-25</b> and can be withdrawn if the manufacturer does not satisfy the production quality re-assessment.	
[10]	According to article 10[1] of the Directive 94/9/EC the CE marking shall be followed by the identification Number 0575 identifying the notified body involved in the production control stage.	
Høvik, 2008-09-05 for Det Norske Veritas Certification AS		
 Marianne Spæren Certification Manager		 Bjørn Spangsvæen Technical Reviewer
<small>Notice: This notification may only be reproduced in its entirety and without any change</small>		
<small>If any person suffers loss or damage which is proved to have been caused by any negligence on the part of Det Norske Veritas, then Det Norske Veritas shall pay compensation for such loss or damage. However, the compensation shall not exceed an amount equal to six times the fee charged for the service in question, provided that the maximum compensation shall never exceed USD 200,000. In this provision 'Det Norske Veritas' shall mean the Norwegian Det Norske Veritas AS and its subsidiaries, branches, offices, employees, agents and any other acting on behalf of Det Norske Veritas.</small>		


IECEX Certificate of Conformity

		<b>IECEX Certificate of Conformity</b>	
<b>INTERNATIONAL ELECTROTECHNICAL COMMISSION</b> <b>IEC Certification Scheme for Explosive Atmospheres</b> <small>for rules and details of the IECEX Scheme visit <a href="http://www.iecex.com">www.iecex.com</a></small>			
Certificate No.:	<input type="text" value="IECEX LCI 09.0038"/>	Issue No.:	<input type="text" value="0"/>
Status:	<input type="text" value="Current"/>	<input type="text" value="Certificate history:"/>	
Date of Issue:	<input type="text" value="2008-09-16"/>	Page 1 of 3	
Applicant:	<b>ITT Corp.</b> Goulds pumps 240 Fall Street Seneca Falls, NY 13148 United States of America		
Electrical Apparatus:	Condition Monitor		
Optional accessory:			
Type of Protection:	ia		
Marking:	ITT Corp. Goulds pumps 240 Fall Street Seneca Falls, NY 13148 U.S.A. Condition Monitor Type : LCCM, p/n C07667A Ex ia IIC T4 Tamb : -40°C à 100°C		
Approved for issue on behalf of the IECEX Certification Body:	Marc Giffaux		
Position:	Ex Certification Manager		
Signature: (for printed version)			
Date:			
<p>1. This certificate and schedule may only be reproduced in full. 2. This certificate is not transferable and remains the property of the issuing body. 3. The Status and authenticity of this certificate may be verified by visiting the Official IECEX Website.</p>			
Certificate issued by:			
<b>Laboratoire Central des Industries Electriques (LCIE)</b> 33 Avenue du General Leclerc FR-92260 Fontenay-aux-Roses France			

IEC  IECEx 		IECEx Certificate of Conformity	
Certificate No.:	IECEx LCI 08.0038		
Date of Issue:	2008-09-16	Issue No.:	0
			Page 2 of 3
Manufacturer:	<b>ITT Corp.</b> Goulds pumps 240 Fall Street Seneca Falls, NY 13148 <b>United States of America</b>		
Manufacturing location(s):			
<p>This certificate is issued as verification that a sample(s), representative of production, was assessed and tested and found to comply with the IEC Standard list below and that the manufacturer's quality system, relating to the Ex products covered by this certificate, was assessed and found to comply with the IECEx Quality system requirements. This certificate is granted subject to the conditions as set out in IECEx Scheme Rules, IECEx 02 and Operational Documents as amended.</p>			
<b>STANDARDS:</b>			
The electrical apparatus and any acceptable variations to it specified in the schedule of this certificate and the identified documents, was found to comply with the following standards:			
<b>IEC 60079-0 : 2004</b> Edition: 4.0	Electrical apparatus for explosive gas atmospheres - Part 0: General requirements		
<b>IEC 60079-11 : 2006</b> Edition: 5	Explosive atmospheres - Part 11: Equipment protection by intrinsic safety "I"		
<p>This Certificate <i>does not</i> indicate compliance with electrical safety and performance requirements other than those expressly included in the Standards listed above.</p>			
<b>TEST &amp; ASSESSMENT REPORTS:</b>			
A sample(s) of the equipment listed has successfully met the examination and test requirements as recorded in			
<u>Test Report:</u>			
FR/LC/ExTR08.0043/00			
<u>Quality Assessment Report:</u>			
NQ/DNV/QAR08.0006/00			

Chinese Certificate of Conformity

**CONFORMITY CERTIFICATE OF EXPLOSION-PROOF**




Certificate No.: **CE082171**

**Name of Product:** Condition Monitor  
**Type of Product:** LCCM, p/n C07667A  
**Marking:** **Ex Ia II CT4**  
**Technical Documents:** /  
**Drawing No.:** C07667A  
**Note (s):** 1.The power is supplied by PANASONIC battery.  
The battery type is BR2477A 3V.  
2.The manufacturer address: Goulds pumps, 240  
Fall Street, Seneca Falls, NY 13148, U.S.A.


By verifying the drawings and technical documents and checking samples, the product complies with the following standards currently valid in P.R.China:  
GB3836.1-2000                      GB3836.4-2000

**Issued to:** ITT Corp.  
**Date of Expire:** 2013-12-22  
**Date of Issue:** 2008-12-22

Center seal




Director



**Xu Gang**

**Supervision & Test Center of Ex- products of China**  
**Petroleum & Chemical Industry**

PCEC has been approved by  


注: 本证书只对与送检样品一致的产品有效。  
 Note: This certificate is only valid for the products that are in accord with sample(s) tested and verified.  
 中心地址: 中国天津市丁字沽二号路 85 号      邮政编码 300131      电话/传真: 022-26651066/26689116  
 Center Addr: No.85 No.2 Road DingZiGu Tianjin China Post code: 300131      Tel/ Fax: 022-26651066/26689116  
 E-mail: ccc@pccc.com.cn      <http://www.pccc.com.cn>

# Transportation and Storage

## Pump handling



### WARNING:

- Make sure that the pump cannot roll or fall over and injure people or damage property.
- These pumps might use carbon or ceramic silicon carbide components. Do not drop the pump or subject it to shock loads as this can damage the internal ceramic components.

**NOTICE:** Use a forklift truck or an overhead crane with sufficient capacity to move the pallet with the pump unit on top. Failure to do so can result in equipment damage.

## Lifting methods



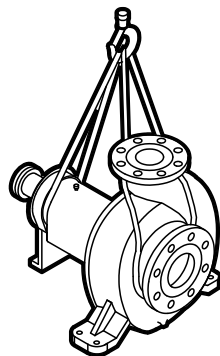
### WARNING:

- Assembled units and their components are heavy. Failure to properly lift and support this equipment can result in serious physical injury and/or equipment damage. Lift equipment only at the specifically identified lifting points. Lifting devices such as eyebolts, slings, and spreaders must be rated, selected, and used for the entire load being lifted.
- Crush hazard. The unit and the components can be heavy. Use proper lifting methods and wear steel-toed shoes at all times.
- Do not attach sling ropes to shaft ends.

**Table 1: Methods**

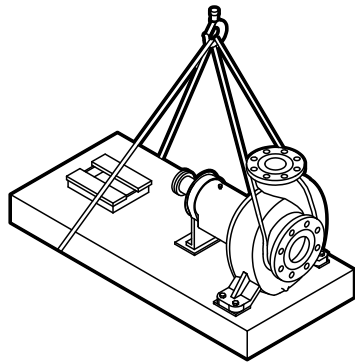
Pump type	Lifting method
A bare pump without lifting handles	Use a suitable sling attached properly to solid points like the casing, the flanges, or the frames.
A bare pump with lifting handles	Lift the pump by the handles.
A base-mounted pump	Use slings under the pump casing and the drive unit, or under the base rails.
Mounted on top of a Polyshield ANSI Combo	See separate information regarding the Polyshield ANSI Combo.

## Examples



**Figure 1: Example of a proper lifting method**





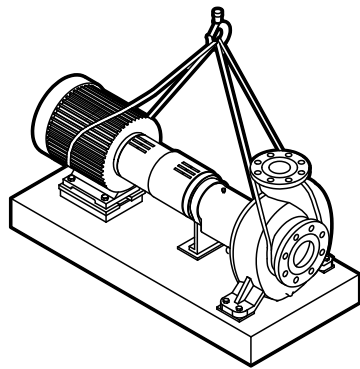
---

**NOTICE:** Do not use this lifting method to lift a Polyshield ANSI Combo with the pump and motor mounted. Doing so may result in equipment damage.

---

**Figure 2: Example of a proper lifting method**

---



---

**NOTICE:** Do not use this lifting method to lift a Polyshield ANSI Combo with the pump and motor mounted. Doing so may result in equipment damage.

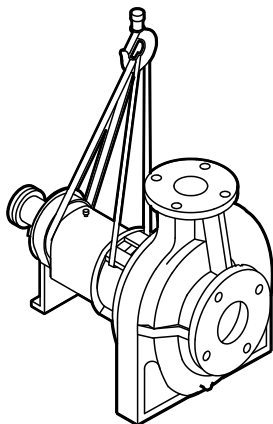
---

**Figure 3: Example of a proper lifting method**

---

**NOTICE:** When lifting a unit that does not have a way to secure the strap on the suction flange, you must secure the strap around the frame adapter. Failure to do so may result in equipment damage.

---



**Figure 4: Example of a proper lifting method with a strap secured around the frame adapter**

---



## Pump storage requirements

Storage requirements depend on the amount of time that you store the pump. The normal packaging is designed only to protect the pump during shipping.

Length of time in storage	Storage requirements
Upon receipt/short-term (less than six months)	<ul style="list-style-type: none"> <li>• Store in a covered and dry location.</li> <li>• Store the unit free from dirt and vibrations.</li> </ul>
Long-term (more than six months)	<ul style="list-style-type: none"> <li>• Store in a covered and dry location.</li> <li>• Store the unit free from heat, dirt, and vibrations.</li> <li>• Rotate the shaft by hand several times at least every three months.</li> </ul>

Treat bearing and machined surfaces so that they are well preserved. Refer to drive unit and coupling manufacturers for their long-term storage procedures.

## Frostproofing

**Table 2: Situations when the pump is or is not frostproof**

When the pump is...	Then...
Operating	The pump is frostproof.
Immersed in a liquid	The pump is frostproof.
Lifted out of a liquid into a temperature below freezing	The impeller might freeze.

# Product Description

## General description 3796

The 3796 is a horizontal overhung, self-priming, open impeller, centrifugal pump. This model is based on 3 power ends and 8 hydraulic pump sizes.

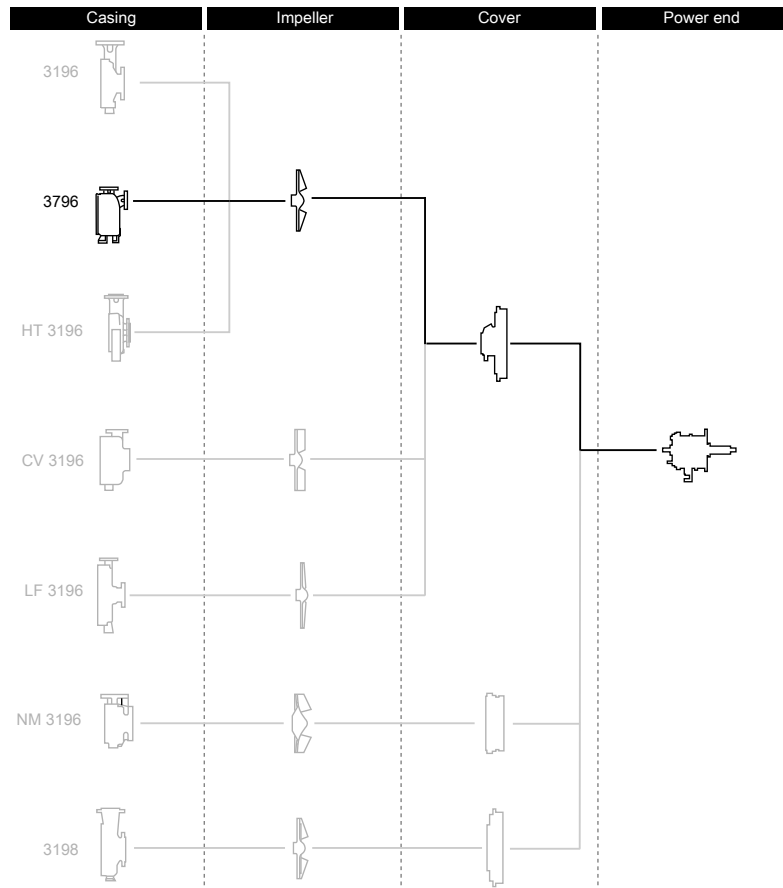


**Figure 5: 3796 pump**

This table shows the number of hydraulic sizes available for each drive-unit size group.

Pump size group	Number of hydraulic sizes
STi	2
MTi	6
LTi	6

## Part description 3796



**Figure 6: 3796 part description**

This table describes the pump casing parts.

**Table 3: Casing**

Part	Description
Discharge	Top-centerline
Casing ventilation	Self-venting
Priming chamber	integrally cast allowing the pump to evacuate air to prime itself
Gasket	fully confined
Mounting method	Integral foot support for maximum resistance to misalignment and distortion due to piping loads
Standard flange	ANSI class 150 raised-face serrated flange
Optional heater	Immersion heater to prevent the liquid in the priming chamber from freezing in outdoor applications

### Impeller

The impeller is

- fully open
- screwed onto the shaft

The threads are sealed from the pumped liquid by a Teflon O-ring.

**Cover**

Standard seal

- The 3796 is available with a stuffing-box cover designed for a packing and a BigBore or a TaperBore PLUS seal chamber.

Optional seal

- a dynamic seal is available which uses a repeller to pump liquid out of the stuffing box while the pump operates. A static seal prevents leakage when the pump is shut down.

This table describes the main parts of the power end.

**Table 4: Power end**

Part	Description
Frame adapter	The ductile iron frame adapter has <ul style="list-style-type: none"> <li>• a machined rabbet fitted to the seal chamber/ stuffing box cover</li> <li>• a precision dowel pin fitted to the bearing frame.</li> </ul>
Power end	<ul style="list-style-type: none"> <li>• Flood-oil lubrication is standard.</li> <li>• No machining is required to convert from oil to grease or oil-mist lubrication. Regreasable bearings and oil-mist lubrication are optional.</li> <li>• The oil level is checked through a sight glass.</li> <li>• The power end is sealed with labyrinth seals.</li> <li>• The power end is made in the following sizes:                             <ul style="list-style-type: none"> <li>• STi</li> <li>• MTi</li> <li>• LTi</li> </ul> </li> </ul>
Shaft	The shaft is available with or without a sleeve.
Bearings	The inboard bearing <ul style="list-style-type: none"> <li>• carries only radial loads.</li> <li>• is free to float axially in the frame.</li> <li>• is a single-row deep-groove ball bearing</li> </ul> The outboard bearing <ul style="list-style-type: none"> <li>• is shouldered and locked to the shaft and housing to enable it to carry radial and thrust loads.</li> <li>• is a double-row angular-contact bearing, except for the LTi which uses a pair of single-row angular-contact ball bearings mounted back-to-back.</li> </ul>

## General description i-ALERT™ Condition Monitor

### Description

The i-ALERT Condition Monitor is a compact, battery-operated monitoring device that continuously measures the vibration and temperature of the pump power end. The condition monitor uses blinking red LEDs to alert the pump operator when the pump exceeds pre-set vibration and temperature limits. This allows the pump operator to make changes to the process or the pump before a catastrophic failure occurs. The condition monitor is also equipped with a single green LED to indicate when it is operational and has sufficient battery life.

### Alarm mode

The condition monitor enters alarm mode when either vibration or temperature limits are exceeded over two consecutive readings within a ten minute period. Alarm mode is indicated with two red flashing LEDs within two second intervals.

### Temperature and vibration limits

Variable	Limit
Temperature	195°F (91°C)

Variable	Limit
Vibration	100% increase over the baseline level

### Battery life

The **i-ALERT Condition Monitor battery is not replaceable**. You must replace the entire unit once the battery runs out of power.

The battery life is not covered as part of the standard five-year pump warranty.

This table shows the average condition monitor battery life under normal and alarm-mode operating conditions.

Condition monitor operational state	Battery life
Normal operating and environmental conditions	Three to five years
Alarm mode	One year

## Nameplate information

### Important information for ordering

Every pump has nameplates that provide information about the pump. The nameplates are located on the casing and the bearing frame.

When you order spare parts, identify this pump information:

- Model
- Size
- Serial number
- Item numbers of the required parts


Refer to the nameplate on the pump casing for most of the information. See Parts List for item numbers.

### Nameplate types

Nameplate	Description
Pump casing	Provides information about the hydraulic characteristics of the pump. The formula for the pump size is: Discharge x Suction - Nominal Maximum Impeller Diameter in inches. (Example: 2x3-8)
Bearing frame	Provides information about the lubrication system used.
ATEX	If applicable, your pump unit might have an ATEX nameplate affixed to the pump, the baseplate, or the discharge head. The nameplate provides information about the ATEX specifications of this pump.
IECEX	If applicable, your pump unit might have the following IECEX nameplate affixed to the pump and/or baseplate. The nameplate provides information about the IECEX specifications of this pump.

### Nameplate on the pump casing using English units

GOULDS PUMPS, INC.      SENECA FALLS, N.Y. MADE IN USA


 IMPLR. DIA.       MAX. DIA.

GPM       FT HD       RPM

MOD.       SIZE

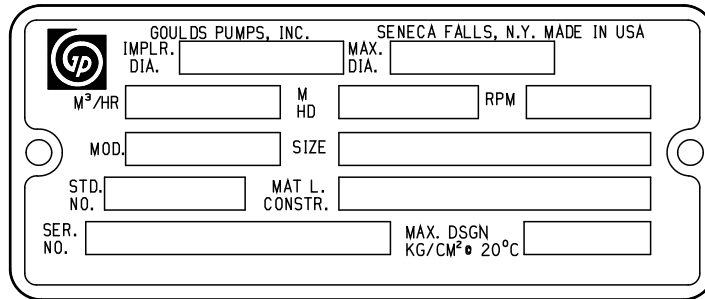
STD. NO.       MAT L. CONSTR.

SER. NO.       MAX. DSGN PSI • 100F

**Table 5: Explanation of nameplate on the pump casing**

Nameplate field	Explanation
IMPLR. DIA.	Impeller diameter, in inches
MAX. DIA.	Maximum impeller diameter, in inches
GPM	Rated pump flow, in gallons per minute
FT HD	Rated pump head, in feet
RPM	Rated pump speed, revolutions per minute
MOD.	Pump model
SIZE	Size of the pump
STD. NO.	ANSI standard designation
MAT L. CONST.	Material of which the pump is constructed
SER. NO.	Serial number of the pump
MAX DSGN PSI @ 100F	Maximum pressure at 100°F according to the pump design

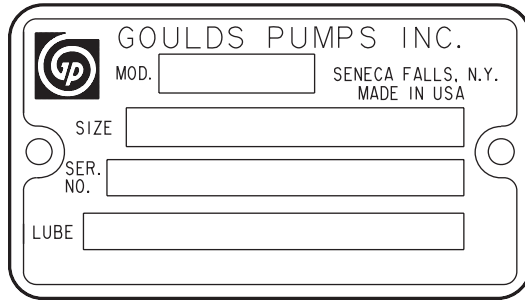
**Nameplate on the pump casing using metric units**



**Table 6: Explanation of the nameplate on the pump casing**

Nameplate field	Explanation
IMPLR. DIA.	Impeller diameter
MAX. DIA.	Maximum impeller diameter
M <sup>3</sup> /HR	Rated pump flow, in cubic meters per hour
M HD	Rated pump head, in meters
RPM	Rated pump speed, in revolutions per minute
MOD.	Pump model
SIZE	Size of the pump
STD. NO.	ANSI standard designation
MAT L. CONST	Material of which the pump is constructed
SER. NO.	Serial number of the pump
MAX. DSGN KG/CM <sup>3</sup> @ 20°C	Kilograms per cubic centimeter at 20°C

## Nameplate on the bearing frame

**Table 7: Explanation of the nameplate on the bearing frame**

Nameplate field	Explanation
MOD.	Pump model
SIZE	Size of the pump
SER. NO.	Serial number of the pump
LUBE	Lubricant, oil or grease

## ATEX nameplate



Nameplate field	Explanation
II	Group 2
2	Category 2
G/D	Pump can be used when gas and dust are present
T4	Temperature class

**NOTICE:** Make sure that the code classifications on the pump are compatible with the specific environment in which you plan to install the equipment. If they are not compatible, do not operate the equipment and contact your ITT representative before you proceed.

# Installation

## Preinstallation

### Precautions



**WARNING:**

- When installing in a potentially explosive environment, make sure that the motor is properly certified.
- You must earth (ground) all electrical equipment. This applies to the pump equipment, the driver, and any monitoring equipment. Test the earth (ground) lead to verify that it is connected correctly.

**NOTICE:** Supervision by an authorized IIT representative is recommended to ensure proper installation. Failure to do so may result in equipment damage or decreased performance.

### Pump location guidelines



**WARNING:**

Assembled units and their components are heavy. Failure to properly lift and support this equipment can result in serious physical injury and/or equipment damage. Lift equipment only at the specifically identified lifting points. Lifting devices such as eyebolts, slings, and spreaders must be rated, selected, and used for the entire load being lifted.

Guideline	Explanation/comment
Keep the pump as close to the liquid source as practically possible.	This minimizes the friction loss and keeps the suction piping as short as possible.
Make sure that the space around the pump is sufficient.	This facilitates ventilation, inspection, maintenance, and service.
If you require lifting equipment such as a hoist or tackle, make sure that there is enough space above the pump.	This makes it easier to properly use the lifting equipment.
Protect the unit from weather and water damage due to rain, flooding, and freezing temperatures.	This is applicable if nothing else is specified.
Do not install and operate the equipment in closed systems unless the system is constructed with properly-sized safety devices and control devices.	Acceptable devices: <ul style="list-style-type: none"> <li>• Pressure relief valves</li> <li>• Compression tanks</li> <li>• Pressure controls</li> <li>• Temperature controls</li> <li>• Flow controls</li> </ul> If the system does not include these devices, consult the engineer or architect in charge before you operate the pump.
Take into consideration the occurrence of unwanted noise and vibration.	The best pump location for noise and vibration absorption is on a concrete floor with subsoil underneath.
If the pump location is overhead, undertake special precautions to reduce possible noise transmission.	Consider a consultation with a noise specialist.

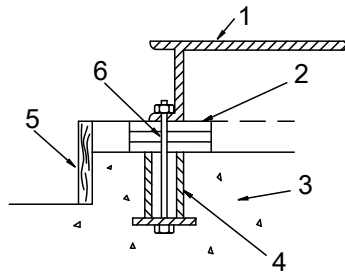


## Foundation requirements

### Requirements

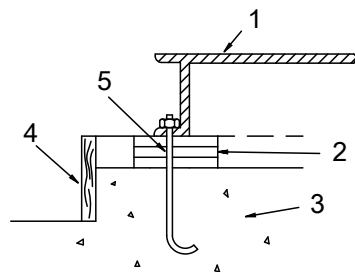
- The foundation must be able to absorb any type of vibration and form a permanent, rigid support for the pump unit.
- The location and size of the foundation bolt holes must match those shown on the assembly drawing provided with the pump data package.
- The foundation must weigh between two and three times the weight of the pump.
- Provide a flat, substantial concrete foundation in order to prevent strain and distortion when you tighten the foundation bolts.
- Sleeve-type and J-type foundation bolts are most commonly used. Both designs allow movement for the final bolt adjustment.

### Sleeve-type bolts



1. Baseplate
2. Shims or wedges
3. Foundation
4. Sleeve
5. Dam
6. Bolt

### J-type bolts



1. Baseplate
2. Shims or wedges
3. Foundation
4. Dam
5. Bolt

## Piping checklists

### General piping checklist

#### Precautions



**CAUTION:**

- Never draw piping into place by using force at the flanged connections of the pump. This can impose dangerous strains on the unit and cause misalignment between the pump and driver. Pipe strain adversely affects the operation of the pump, which results in physical injury and damage to the equipment.
- Vary the capacity with the regulating valve in the discharge line. Never throttle the flow from the suction side. This action can result in decreased performance, unexpected heat generation, and equipment damage.

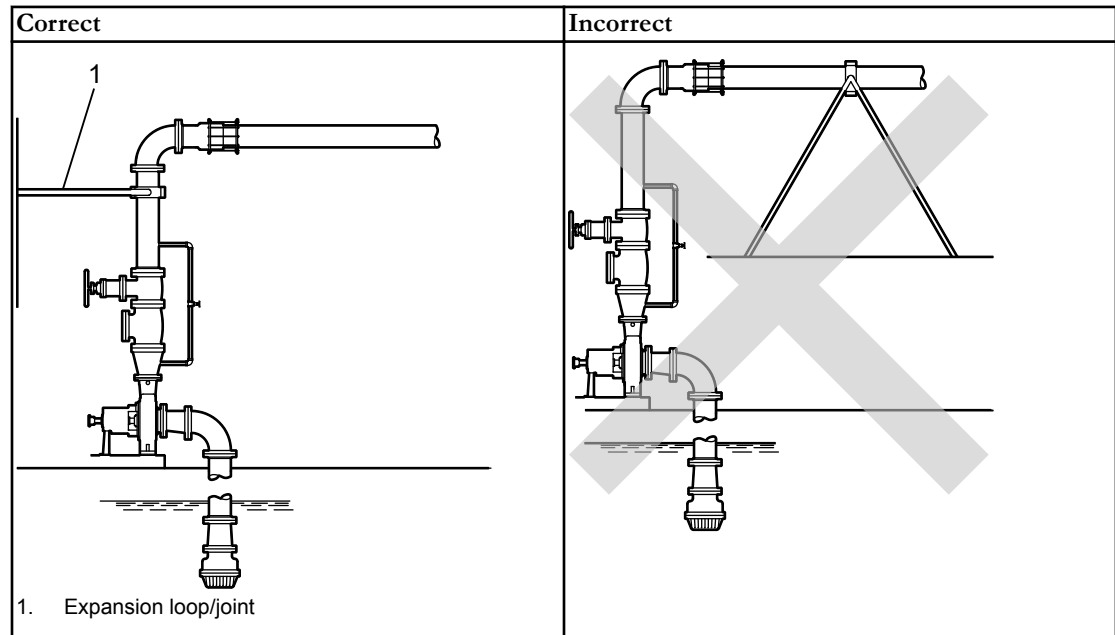
#### Piping guidelines

Guidelines for piping are given in the Hydraulic Institute Standards available from the Hydraulic Institute at 9 Sylvan Way, Parsippany, NJ 07054-3802. You must review this document before you install the pump.

#### Checklist

Check	Explanation/comment	Checked
Check that all piping is supported independently of, and lined up naturally with, the pump flange.	This helps to prevent: <ul style="list-style-type: none"> <li>• Strain on the pump</li> <li>• Misalignment between the pump and the drive unit</li> <li>• Wear on the pump bearings and the coupling</li> <li>• Wear on the pump bearings, seal, and shafting</li> </ul>	
Keep the piping as short as possible.	This helps to minimize friction losses.	
Check that only necessary fittings are used.	This helps to minimize friction losses.	
Do not connect the piping to the pump until: <ul style="list-style-type: none"> <li>• The grout for the baseplate or sub-base becomes hard.</li> <li>• The hold-down bolts for the pump and the driver are tightened.</li> </ul>	—	
Make sure that all the piping joints and fittings are airtight.	This prevents air from entering the piping system or leaks that occur during operation.	
If the pump handles corrosive fluids, make sure that the piping allows you to flush out the liquid before you remove the pump.	—	
If the pump handles liquids at elevated temperatures, make sure that the expansion loops and joints are properly installed.	This helps to prevent misalignment due to linear expansion of the piping.	

**Example: Installation for expansion**



**Suction-piping checklist**

Performance curve reference

**Suction-piping checks**

Check	Explanation/comment	Checked
Check that the distance between the inlet flange of the pump and the closest elbow is at least five pipe diameters.	This minimizes the risk of cavitation in the suction inlet of the pump due to turbulence. See the Example sections for illustrations.	
Check that elbows in general do not have sharp bends.	See the Example sections for illustrations.	
Check that the suction piping is one or two sizes larger than the suction inlet of the pump. Install an eccentric reducer between the pump inlet and the suction piping.	The suction piping must never have a smaller diameter than the suction inlet of the pump. See the Example sections for illustrations.	
Check that the eccentric reducer at the suction flange of the pump has the following properties: <ul style="list-style-type: none"> <li>• Sloping side down</li> <li>• Horizontal side at the top</li> </ul>	See the example illustrations.	
If suction strainers or suction bells are used, check that they are at least three times the area of the suction piping.	Suction strainers help to prevent clogging. Mesh holes with a minimum diameter of 1/16 in. (1.6 mm) are recommended.	
If more than one pump operates from the same liquid source, check that separate suction-piping lines are used for each pump.	This recommendation helps you to achieve a higher pump performance.	
If necessary, make sure that the suction piping includes a drain valve and that it is correctly installed.	—	

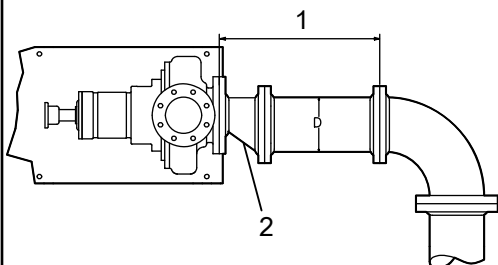
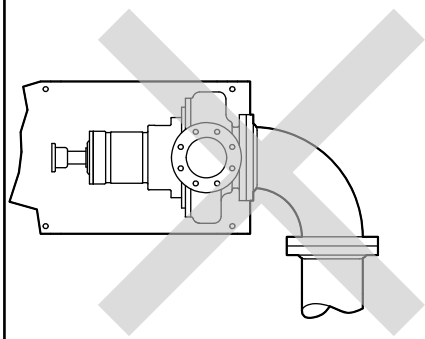
**Liquid source below the pump**

Check	Explanation/comment	Checked
Make sure that the suction piping is free from air pockets.	This helps to prevent the occurrence of air and cavitation in the pump inlet.	
Check that the suction piping slopes upwards from the liquid source to the pump inlet.	—	
If the pump is not self-priming, check that a device for priming the pump is installed.	Use a foot valve with a diameter that is at least equivalent to the diameter of the suction piping.	

**Liquid source above the pump**

Check	Explanation/comment	Checked
Check that an isolation valve is installed in the suction piping at a distance of at least two times the pipe diameter from the suction inlet.	This permits you to close the line during pump inspection and maintenance. Do not use the isolation valve to throttle the pump. Throttling can cause these problems: <ul style="list-style-type: none"> <li>• Loss of priming</li> <li>• Excessive temperatures</li> <li>• Damage to the pump</li> <li>• Voiding the warranty</li> </ul>	
Make sure that the suction piping is free from air pockets.	This helps to prevent the occurrence of air and cavitation in the pump inlet.	
Check that the piping is level or slopes downward from the liquid source.	—	
Make sure that no part of the suction piping extends below the suction flange of the pump.	—	
Make sure that the suction piping is adequately submerged below the surface of the liquid source.	This prevents air from entering the pump through a suction vortex.	

**Example: Elbow close to the pump suction inlet**

Correct	Incorrect
<p>The correct distance between the inlet flange of the pump and the closest elbow must be at least five pipe diameters.</p>  <ol style="list-style-type: none"> <li>1. Enough distance to prevent cavitation</li> <li>2. Eccentric reducer with a level top</li> </ol>	

**Example: Suction piping equipment**

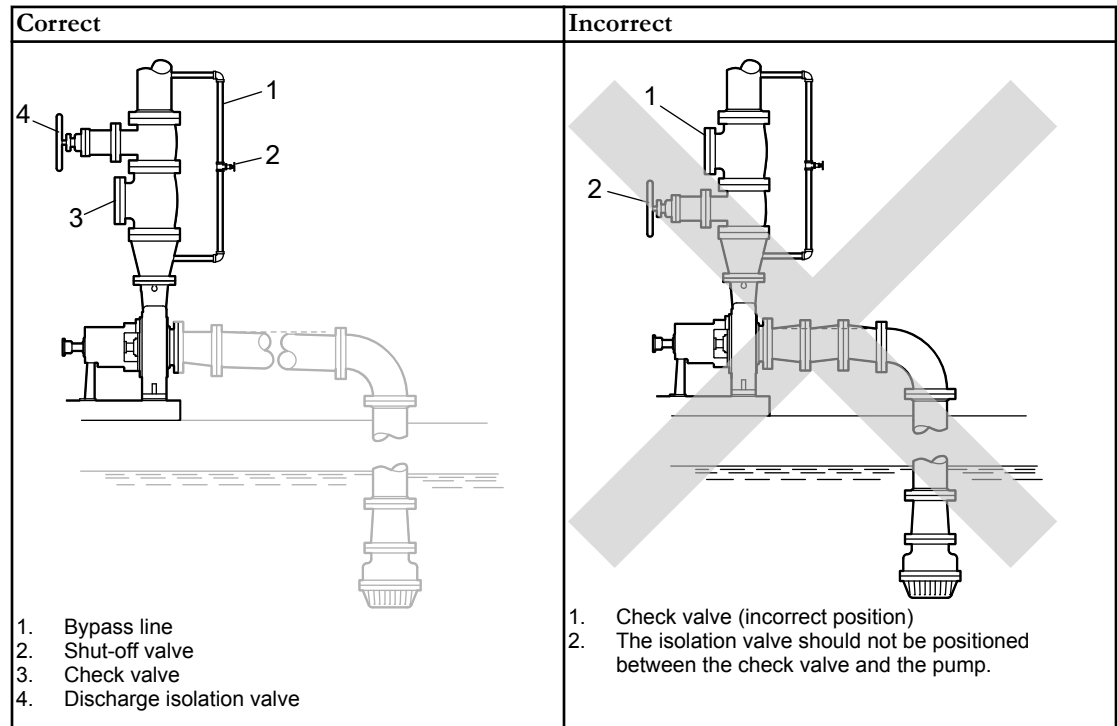
Correct	Incorrect
<ol style="list-style-type: none"> <li>1. Suction pipe sloping upwards from liquid source</li> <li>2. Long-radius elbow</li> <li>3. Strainer</li> <li>4. Foot valve</li> <li>5. Eccentric reducer with a level top</li> </ol>	<ol style="list-style-type: none"> <li>1. Air pocket, because the eccentric reducer is not used and because the suction piping does not slope gradually upward from the liquid source</li> </ol>

**Discharge piping checklist**

Checklist

Check	Explanation/comment	Checked
Check that an isolation valve is installed in the discharge line.	The isolation valve is required for: <ul style="list-style-type: none"> <li>• Priming</li> <li>• Regulation of flow</li> <li>• Inspection and maintenance of the pump</li> </ul> See Example: Discharge piping equipment for illustrations.	
Check that a check valve is installed in the discharge line, between the isolation valve and the pump discharge outlet.	The location between the isolation valve and the pump allows inspection of the check valve. The check valve prevents damage to the pump and seal due to the back flow through the pump, when the drive unit is shut off. It is also used to restrain the liquid flow. See Example: Discharge piping equipment for illustrations.	
If increasers are used, check that they are installed between the pump and the check valve.	See Example: Discharge piping equipment for illustrations.	
If quick-closing valves are installed in the system, check that cushioning devices are used.	This protects the pump from surges and water hammer.	

**Example: Discharge piping equipment**



## Baseplate-mounting procedures

### Prepare the baseplate for mounting

1. Remove all the attached equipment from the baseplate.
2. Clean the underside of the baseplate completely.
3. If applicable, coat the underside of the baseplate with an epoxy primer.  
Use an epoxy primer only if you used an epoxy-based grout.
4. Remove the rust-proofing coat from the machined mounting pads using an appropriate solvent.
5. Remove water and debris from the foundation-bolt holes.

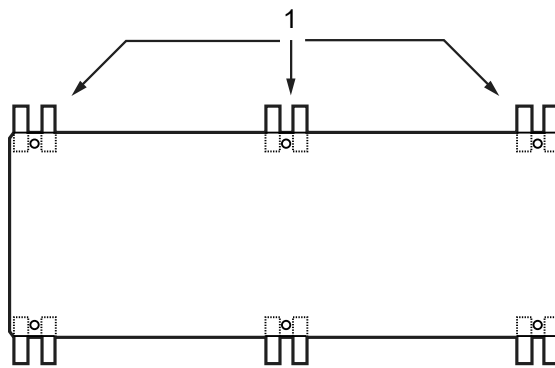
### Install the baseplate using shims or wedges

Required tools:

- Two sets of shims or wedges for each foundation bolt
- Two machinist's levels
- Baseplate-leveling worksheet

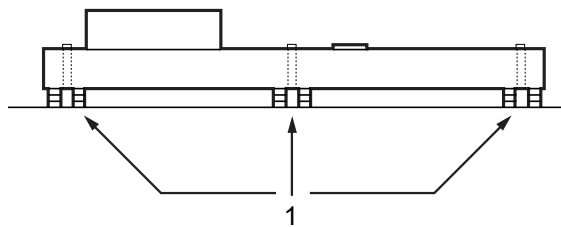
This procedure is applicable to cast iron and fabricated steel baseplates.

1. If you use sleeve-type bolts, fill the bolt sleeves with packing material or rags to prevent grout from entering the bolt holes.
2. Put the sets of wedges or shims on each side of each foundation bolt.  
The sets of wedges should have a height of between 0.75 in. (19 mm) and 1.50 in. (38 mm).



1. Shims or wedges

**Figure 7: Top view**



1. Shims or wedges

**Figure 8: Side view**

3. Lower the baseplate carefully onto the foundation bolts.
4. Put the machinist's levels across the mounting pads of the driver and the mounting pads of the pump.

**NOTICE:** Remove all dirt from the mounting pads in order to make sure that you achieve the correct leveling. Failure to do so can result in equipment damage or decreased performance.

5. Level the baseplate both lengthwise and across by adding or removing shims or moving the wedges.

These are the leveling tolerances:

- A maximum difference of 0.125 in. (3.2 mm) lengthwise
- A maximum difference of 0.059 in. (1.5 mm) across

You can use the baseplate-leveling worksheet when you take the readings.

6. Hand-tighten the nuts for the foundation.

## Install the baseplate using jackscrews

Tools required:

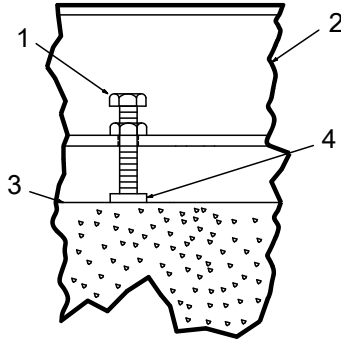
- Anti-seize compound
- Jackscrews
- Bar stock
- Two machinist's levels
- Baseplate-leveling worksheet

This procedure is applicable to the feature-fabricated steel baseplate and the advantage base baseplate.

1. Apply an anti-seize compound on the jackscrews.  
The compound makes it easier to remove the screws after you grout.
2. Lower the baseplate carefully onto the foundation bolts and perform these steps:
  - a) Cut the plates from the bar stock and chamfer the edges of the plates in order to reduce stress concentrations.
  - b) Put the plates between the jackscrews and the foundation surface.
  - c) Use the four jackscrews in the corners in order to raise the baseplate above the foundation.

Make sure that the distance between the baseplate and the foundation surface is between 0.75 in. (19 mm) and 1.50 in. (38 mm).

- d) Make sure that the center jackscrews do not touch the foundation surface yet.



1. Jackscrew
2. Baseplate
3. Foundation
4. Plate

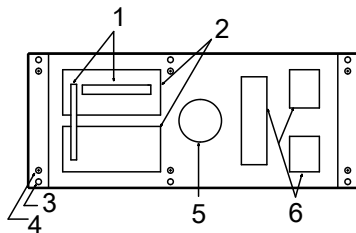
3. Level the driver mounting pads:

**NOTICE:** Remove all dirt from the mounting pads in order to make sure that you achieve the correct leveling. Failure to do so can result in equipment damage or decreased performance.

- a) Put one machinist's level lengthwise on one of the two pads.
- b) Put the other machinist's level across the ends of the two pads.
- c) Level the pads by adjusting the four jackscrews in the corners.

Make sure that the machinist's level readings are as close to zero as possible, both lengthwise and across.

Use the baseplate-leveling worksheet when you take the readings.



1. Machinist's levels
2. Driver's mounting pads
3. Foundation bolts
4. Jackscrews
5. Grout hole
6. Pump's mounting pads

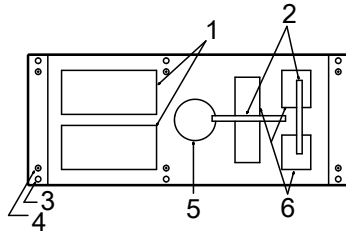
4. Turn the center jackscrews down so that they rest on their plates on the foundation surface.
5. Level the pump mounting pads:

**NOTICE:** Remove all dirt from the mounting pads in order to make sure that you achieve the correct leveling. Failure to do so can result in equipment damage or decreased performance.

- a) Put one machinist's level lengthwise on one of the two pads.
- b) Put the other level across the center of the two pads.
- c) Level the pads by adjusting the four jackscrews in the corners.

Make sure that the machinist's level readings are as close to zero as possible, both lengthwise and across.





1. Driver's mounting pads
  2. Machinist's levels
  3. Foundation bolts
  4. Jackscrews
  5. Grout hole
  6. Pump's mounting pads
6. Hand-tighten the nuts for the foundation bolts.
  7. Check that the driver's mounting pads are level and adjust the jackscrews and the foundation bolts if necessary.

The correct level measurement is a maximum of 0.002 in./ft (0.0167 mm/m).

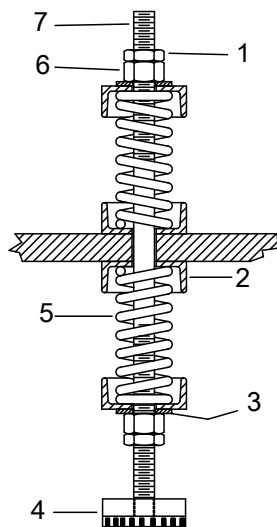
## Install the baseplate using spring mounting

**NOTICE:** The spring-mounted baseplate is designed only to support piping loads from thermal expansion. You must support the suction and discharge piping individually. Failure to do so may result in equipment damage.

The foundation pads are not provided with the baseplate. Make sure that the foundation pads are 316 stainless-steel plates, which have a 16-20 micro-inch surface finish.

Before you start this procedure, make sure that the foundation pads are correctly installed on the foundation/floor (see the manufacturer's instructions).

1. Put the baseplate on a support above the foundation/floor.  
Make sure that there is enough space between the baseplate and the foundation/floor in order to install the spring assemblies.
2. Install the lower part of the spring assembly:
  - a) Screw the lower jam nut onto the spring stud.
  - b) Screw the lower adjusting nut onto the spring-stud, on top of the jam nut.
  - c) Set the lower adjusting nut to the correct height.  
The correct height depends on the required distance between the foundation/floor and the baseplate.
  - d) Put a washer, a follower, a spring, and one more follower onto the lower adjusting nut.
3. Install the spring assembly on the baseplate:
  - a) Insert the spring assembly into the baseplate's anchorage hole from below.
  - b) Put a follower, a spring, another follower, and a washer onto the spring stud.
  - c) Fasten the spring assembly with the upper adjusting nut by hand.
4. Thread the upper jam nut onto the spring stud by hand.
5. Repeat steps 2 through 4 for all the spring assemblies.
6. Lower the baseplate so that the spring assemblies fit into the foundation pads.
7. Level the baseplate and make the final height adjustments:
  - a) Loosen the upper jam nuts and adjusting nuts.
  - b) Adjust the height and level the baseplate by moving the lower adjusting nuts.
  - c) When the baseplate is level, tighten the top adjusting nuts so that the top springs are not loose in their followers.
8. Fasten the lower and upper jam nuts on each spring assembly.



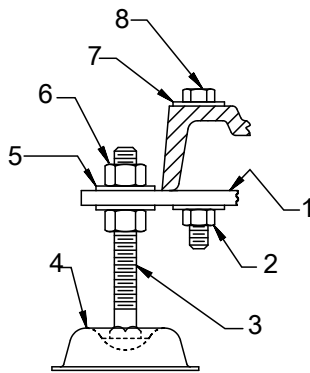
1. Upper jam nut
2. Follower
3. Washer
4. Foundation pads
5. Spring
6. Upper adjusting nut
7. Spring stud

**Figure 9: Example of an installed spring assembly**

## Install the baseplate using stilt mounting

**NOTICE:** The stilt-mounted baseplate is not designed to support static piping loads. Make sure to individually support the suction and discharge piping. Failure to do so may result in equipment damage.

1. Put the baseplate on a support above the foundation/floor.  
Make sure that there is enough space between the baseplate and the foundation/floor to install the stilts.
2. Install the lower part of the stilt assembly:
  - a) Screw the lower jam nut and adjusting nut onto the stilt.
  - b) Set the lower adjusting nut to the correct height.  
The correct height depends on the required distance between the foundation/floor and the baseplate.
  - c) Put a washer onto the lower adjusting- nut.
3. Install the stilt assembly on the baseplate:
  - a) Insert the stilt assembly into the baseplate's anchorage hole from below.
  - b) Put a washer onto the stilt.
  - c) Fasten the stilt assembly with the upper adjusting nut by hand.
4. Screw the upper jam nut onto the stilt by hand.
5. Repeat steps 2 through 4 for all the stilt assemblies.
6. Lower the baseplate so that the stilts fit into the foundation cups.
7. Level the baseplate and make the final height adjustments:
  - a) Loosen the upper jam nuts and adjusting nuts.
  - b) Adjust the height and level the baseplate by moving the lower adjusting nuts.
  - c) When the baseplate is level, tighten the top adjusting nuts.
8. Fasten the lower and upper jam nuts on each stilt.

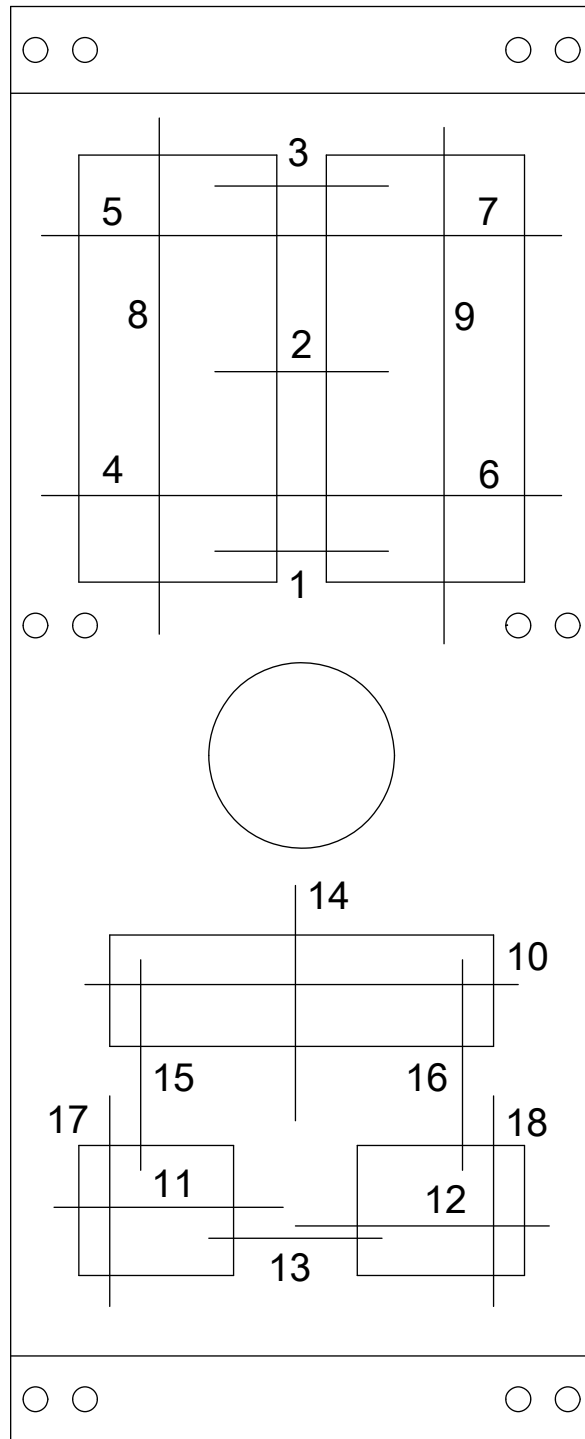


1. Mounting plate
2. Mounting nut
3. Stilt bolt
4. Foundation cups
5. Washer
6. Upper adjustment nut
7. Mounting washer
8. Mounting bolt

**Figure 10: Example of an installed stilt assembly**

# Baseplate-leveling worksheet

## Level measurements



- 1) \_\_\_\_\_
- 2) \_\_\_\_\_
- 3) \_\_\_\_\_
- 4) \_\_\_\_\_
- 5) \_\_\_\_\_
- 6) \_\_\_\_\_
- 7) \_\_\_\_\_
- 8) \_\_\_\_\_
- 9) \_\_\_\_\_
- 10) \_\_\_\_\_
- 11) \_\_\_\_\_
- 12) \_\_\_\_\_
- 13) \_\_\_\_\_
- 14) \_\_\_\_\_
- 15) \_\_\_\_\_
- 16) \_\_\_\_\_
- 17) \_\_\_\_\_
- 18) \_\_\_\_\_

## Install the pump, driver, and coupling

1. Mount and fasten the pump on the baseplate. Use applicable bolts.
2. Mount the driver on the baseplate. Use applicable bolts and hand tighten.
3. Install the coupling.  
See the installation instructions from the coupling manufacturer.

## Pump-to-driver alignment

### Precautions



#### WARNING:

- Follow shaft alignment procedures in order to prevent catastrophic failure of drive components or unintended contact of rotating parts. Follow the coupling installation and operation procedures from the coupling manufacturer.
- Always disconnect and lock out power to the driver before you perform any installation or maintenance tasks. Failure to disconnect and lock out driver power will result in serious physical injury.

**NOTICE:** Proper alignment is the responsibility of the installer and the user of the unit. Check the alignment of frame-mounted units before you operate the unit. Failure to do so can result in equipment damage or decreased performance.

## Alignment checks

### When to perform alignment checks

You must perform alignment checks under these circumstances:

- The process temperature changes.
- The piping changes.
- The pump has been serviced.

### Types of alignment checks

Type of check	When it is used
Initial alignment (cold alignment) check	Prior to operation when the pump and the driver are at ambient temperature.
Final alignment (hot alignment) check	After operation when the pump and the driver are at operating temperature.

### Initial alignment (cold alignment) checks

When	Why
Before you grout the baseplate	This ensures that alignment can be accomplished.
After you grout the baseplate	This ensures that no changes have occurred during the grouting process.
After you connect the piping	This ensures that pipe strains have not altered the alignment. If changes have occurred, you must alter the piping to remove pipe strains on the pump flanges.

### Final alignment (hot alignment) checks

When	Why
After the first run	This ensures correct alignment when both the pump and the driver are at operating temperature.

When	Why
Periodically	This follows the plant operating procedures.

## Permitted indicator values for alignment checks

**NOTICE:** The specified permitted reading values are valid only at operating temperature. For cold settings, other values are permitted. You must use the correct tolerances. Failure to do so can result in misalignment and reduced pump reliability.

When dial indicators are used to check the final alignment, the pump and drive unit are correctly aligned when these conditions are true:

- The total indicator runout is a maximum of 0.002 in. (0.05 mm) at operating temperature.
- The tolerance of the indicator is 0.0005 in./in. (0.0127 mm/mm) of indicator separation at operating temperature.

## Cold settings for parallel vertical alignment

### Introduction

This section shows the recommended preliminary (cold) settings for electric motor-driven pumps based on different temperatures of pumped fluid. Consult driver manufacturers for recommended cold settings for other types of drivers such as steam turbines and engines.

### Recommended settings for model 3796

Pump temperature	Recommended setting
50°F (10°C)	0.002 in. (0.05 mm), low
150°F (65°C)	0.001 in. (0.03 mm), high
250°F (120°C)	0.005 in. (0.12 mm), high
350°F (175°C)	0.009 in. (0.23 mm), high
450°F (218°C)	0.013 in. (0.33 mm), high
550°F (228°C)	0.017 in. (0.43 mm), high
650°F (343°C)	Not applicable
700°F (371°C)	Not applicable

## Alignment measurement guidelines

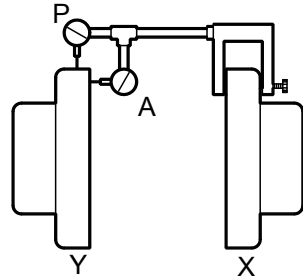
Guideline	Explanation
Rotate the pump coupling half and the driver coupling half together so that the indicator rods have contact with the same points on the driver coupling half.	This prevents incorrect measurement.
Move or shim only the driver in order to make adjustments.	This prevents strain on the piping installations.
Make sure that the hold-down bolts for the driver feet are tight when you take indicator measurements.	This keeps the driver stationary since movement causes incorrect measurement.
Make sure that the hold-down bolts for the driver feet are loose before you make alignment corrections.	This makes it possible to move the driver when you make alignment corrections.
Check the alignment again after any mechanical adjustments.	This corrects any misalignments that an adjustment may have caused.

## Attach the dial indicators for alignment

You must have two dial indicators in order to complete this procedure.

1. Attach two dial indicators on the pump coupling half (X):

- a) Attach one indicator (P) so that the indicator rod comes into contact with the perimeter of the driver coupling half (Y).  
This indicator is used to measure parallel misalignment.
- b) Attach the other indicator (A) so that the indicator rod comes into contact with the inner end of the driver coupling half.  
This indicator is used to measure angular misalignment.



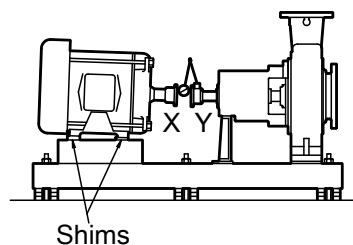
2. Rotate the pump coupling half (X) in order to check that the indicators are in contact with the driver coupling half (Y) but do not bottom out.
3. Adjust the indicators if necessary.

## Pump-to-driver alignment instructions

### Perform angular alignment for a vertical correction

1. Set the angular alignment indicator to zero at the top-center position (12 o'clock) of the driver coupling half (Y).
2. Rotate the indicator to the bottom-center position (6 o'clock).
3. Record the indicator reading.

When the reading value is...	Then...
Negative	The coupling halves are farther apart at the bottom than at the top. Perform one of these steps: <ul style="list-style-type: none"> <li>• Add shims in order to raise the feet of the driver at the shaft end.</li> <li>• Remove shims in order to lower the feet of the driver at the other end.</li> </ul>
Positive	The coupling halves are closer at the bottom than at the top. Perform one of these steps: <ul style="list-style-type: none"> <li>• Remove shims in order to lower the feet of the driver at the shaft end.</li> <li>• Add shims in order to raise the feet of the driver at the other end.</li> </ul>



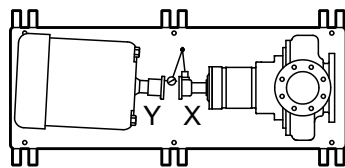
**Figure 11: Side view of an incorrect vertical alignment**

4. Repeat the previous steps until the permitted reading value is achieved.

### Perform angular alignment for a horizontal correction

1. Set the angular alignment indicator ( $\Delta$ ) to zero on left side of the driver coupling half (Y), 90° from the top-center position (9 o'clock).
2. Rotate the indicator through the top-center position to the right side, 180° from the start position (3 o'clock).
3. Record the indicator reading.

When the reading value is...	Then...
Negative	The coupling halves are farther apart on the right side than the left. Perform one of these steps: <ul style="list-style-type: none"> <li>• Slide the shaft end of the driver to the left.</li> <li>• Slide the opposite end to the right.</li> </ul>
Positive	The coupling halves are closer together on the right side than the left. Perform one of these steps: <ul style="list-style-type: none"> <li>• Slide the shaft end of the driver to the right.</li> <li>• Slide the opposite end to the left.</li> </ul>



**Figure 12: Top view of an incorrect horizontal alignment**

4. Repeat the previous steps until the permitted reading value is achieved.

### Perform parallel alignment for a vertical correction

Before you start this procedure, make sure that the dial indicators are correctly set up.

A unit is in parallel alignment when the parallel indicator (P) does not vary by more than 0.002 in. (0.05 mm) as measured at four points 90° apart at the operating temperature.

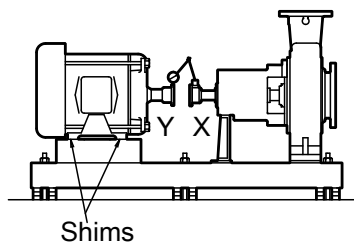
1. Set the parallel alignment indicator to zero at the top-center position (12 o'clock) of the driver coupling half.
2. Rotate the indicator to the bottom-center position (6 o'clock).
3. Record the indicator reading.

When the reading value is...	Then...
Negative	The pump coupling half (X) is lower than the driver coupling half (Y). Remove shims of a thickness equal to half of the indicator reading value under each driver foot.
Positive	The pump coupling half (X) is higher than the driver coupling half. Add shims of a thickness equal to half of the indicator reading value to each driver foot.

**NOTICE:**

You must use an equal amount of shims with each driver foot to prevent misalignment. Failure to do so can result in equipment damage or decreased performance.





**Figure 13: Side view of an incorrect vertical alignment**

4. Repeat the previous steps until the permitted reading value is achieved.

### Perform parallel alignment for a horizontal correction

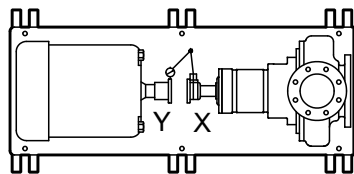
A unit is in parallel alignment when the parallel indicator (P) does not vary by more than 0.002 in. (0.05 mm) as measured at four points 90° apart at the operating temperature.

1. Set the parallel alignment indicator to zero on the left side of the driver coupling half (Y), 90° from the top-center position (9 o'clock).
2. Rotate the indicator through the top-center position to the right side, 180° from the start position (3 o'clock).
3. Record the indicator reading.

When the reading value is...	Then...
Negative	The driver coupling half is to the left of the pump coupling half.
Positive	The driver coupling half is to the right of the pump coupling half.

4. Slide the driver carefully in the appropriate direction.

**NOTICE:** Make sure to slide the driver evenly. Failure to do so can negatively affect horizontal angular correction.



**Figure 14: Top view of an incorrect horizontal alignment**

5. Repeat the previous steps until the permitted reading value is achieved.

### Perform complete alignment for a vertical correction

A unit is in complete alignment when both the angular indicator (A) and the parallel indicator (P) do not vary by more than 0.002 in. (0.05 mm) as measured at four points 90° apart.

1. Set the angular and parallel dial indicators to zero at the top-center position (12 o'clock) of the driver coupling half (Y).
2. Rotate the indicators to the bottom-center position (6 o'clock).
3. Record the indicator readings.
4. Make corrections according to the separate instructions for angular and parallel alignment until you obtain the permitted reading values.

### Perform complete alignment for a horizontal correction

A unit is in complete alignment when both the angular indicator (A) and the parallel indicator (P) do not vary by more than 0.002 in. (0.05 mm) as measured at four points 90° apart.

1. Set the angular and parallel dial indicators to zero at the left side of the driver coupling half (Y), 90° from the top-center position (9 o'clock).

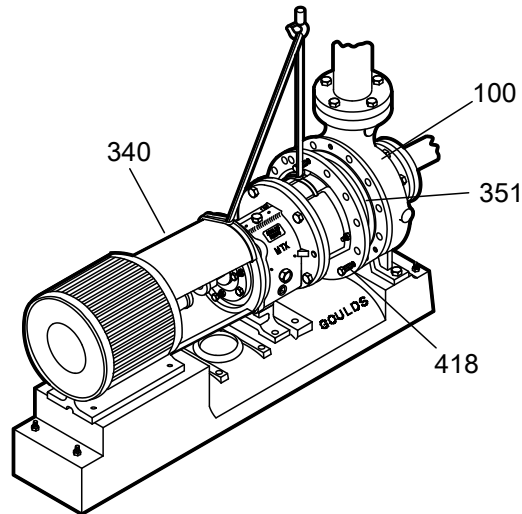
2. Rotate the indicators through the top-center position to the right side, 180° from the start position (3 o'clock).
3. Record the indicator readings.
4. Make corrections according to the separate instructions for angular and parallel alignment until you obtain the permitted reading values.

## C-face adapter

### Intended use

The C-face adapter is a device that attaches the pump to the drive unit to minimize the axial and radial play between the two coupling halves.

### Illustration



**Figure 15: Example of the C-face adapter (340)**

### Alignment requirements

When you use a C-face adapter, you do not have to align the shaft. The rabbeted fittings of the drive unit to the adapter and the adapter to the bearing frame automatically align the shaft to within the specified limits.

### Specified limits

A C-face adapter can attain a nominal alignment of 0.007 in. Total Indicated Runout (T.I.R.). However, because of the stack-up of the machining tolerances of the various parts, the alignment can be as high as 0.015 inches TIR.

If high reliability (with shaft alignments of less than 0.002 in. (0.05mm)) is required for the pump, use a foot-mounted drive unit on a precision-machined baseplate and perform a conventional alignment.

## Grout the baseplate

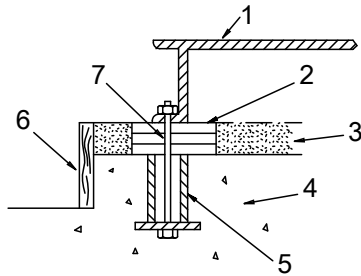
Required equipment:

- Cleaners: Do not use an oil-based cleaner because the grout will not bond to it. See the instructions provided by the grout manufacturer.
  - Grout: Non-shrink grout is recommended.
1. Clean all the areas of the baseplate that will come into contact with the grout.
  2. Build a dam around the foundation.
  3. Thoroughly wet the foundation that will come into contact with the grout.
  4. Pour grout through the grout hole into the baseplate up to the level of the dam.

When you pour the grout, remove air bubbles from it by using one of these methods:

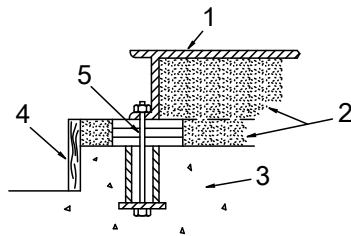
- Puddle with a vibrator.
- Pump the grout into place.

5. Allow the grout to set.



1. Baseplate
2. Shims or wedges
3. Grout
4. Foundation
5. Sleeve
6. Dam
7. Bolt

6. Fill the remainder of the baseplate with grout, and allow the grout to set for at least 48 hours.



1. Baseplate
2. Grout
3. Foundation
4. Dam
5. Bolt

7. Tighten the foundation bolts.

# Commissioning, Startup, Operation, and Shutdown

## Preparation for startup

---



### WARNING:

- Failure to follow these precautions before you start the pump will lead to serious personal injury and equipment failure.
  - Do not operate the pump below the minimum rated flows or with the suction or discharge valves closed. These conditions can create an explosive hazard due to vaporization of pumped fluid and can quickly lead to pump failure and physical injury.
  - Never operate the pump without the coupling guard correctly installed.
  - Always disconnect and lock out power to the driver before you perform any installation or maintenance tasks. Failure to disconnect and lock out driver power will result in serious physical injury.
  - Operating the pump in reverse rotation can result in the contact of metal parts, heat generation, and breach of containment.
- 

### Precautions

---

### NOTICE:

- Verify the driver settings before you start the pump.
  - Make sure that the warm-up rate does not exceed 2.5°F (1.4°C) per minute.
- 

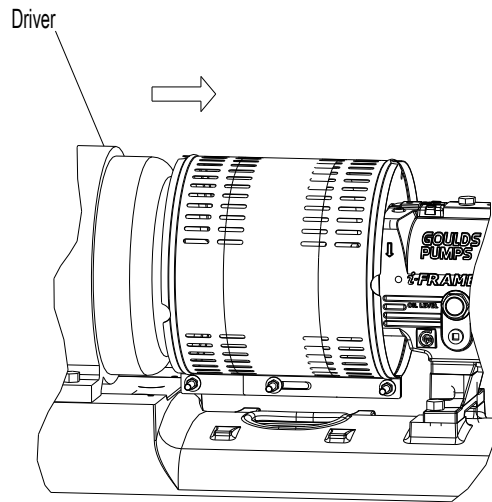
You must follow these precautions before you start the pump:

- Flush and clean the system thoroughly to remove dirt or debris in the pipe system in order to prevent premature failure at initial startup.
- Bring variable-speed drivers to the rated speed as quickly as possible.
- Run a new or rebuilt pump at a speed that provides enough flow to flush and cool the close-running surfaces of the stuffing-box bushing.
- If temperatures of the pumped fluid will exceed 200°F (93°C), then warm up the pump prior to operation. Circulate a small amount of fluid through the pump until the casing temperature is within 100°F (38°C) of the fluid temperature.

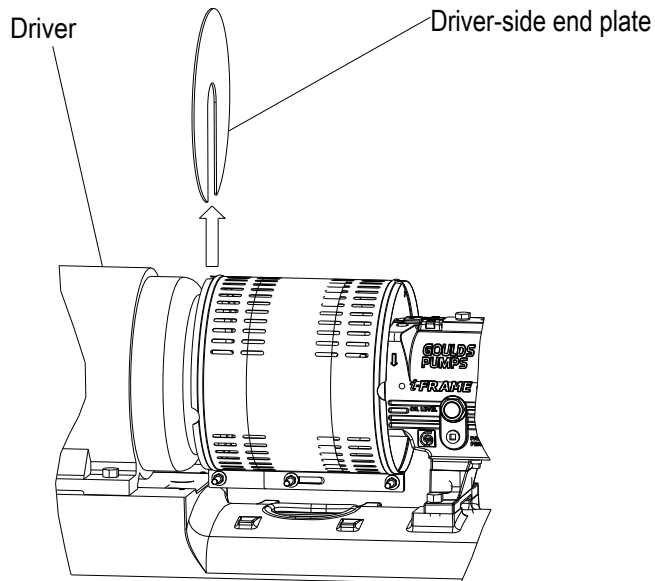
At initial startup, do not adjust the variable-speed drivers or check for speed governor or over-speed trip settings while the variable-speed driver is coupled to the pump. If the settings have not been verified, then uncouple the unit and refer to instructions supplied by the driver manufacturer.

## Remove the coupling guard

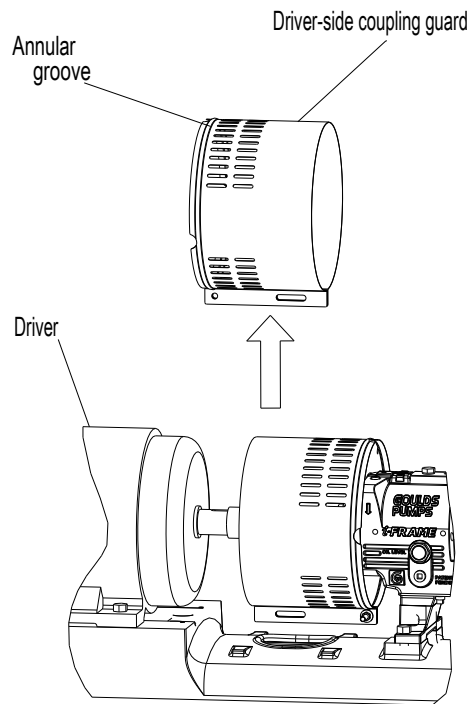
1. Remove the nut, bolt, and washers from the slotted hole in the center of the coupling guard.
2. Slide the driver half of the coupling guard toward the pump.



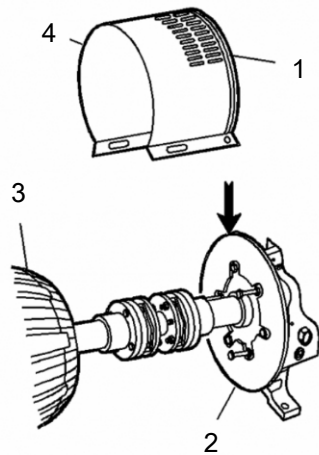
3. Remove the nut, bolt, and washers from the driver half of the coupling guard.
4. Remove the driver-side end plate.



5. Remove the driver half of the coupling guard:
  - a) Slightly spread the bottom apart.
  - b) Lift upwards.



6. Remove the remaining nut, bolt, and washers from the pump half of the coupling guard.  
It is not necessary to remove the end plate from the pump side of the bearing housing. You can access the bearing-housing tap bolts without removing this end plate if maintenance of internal pump parts is necessary.
7. Remove the pump half of the coupling guard:
  - a) Slightly spread the bottom apart.
  - b) Lift upwards.



1. Annular groove
2. Pump-side end plate
3. Driver
4. Pump half of the coupling guard

## Check the rotation



### WARNING:

- Operating the pump in reverse rotation can result in the contact of metal parts, heat generation, and breach of containment.
- Always disconnect and lock out power to the driver before you perform any installation or maintenance tasks. Failure to disconnect and lock out driver power will result in serious physical injury.

1. Lock out power to the driver.
2. Make sure that the coupling hubs are fastened securely to the shafts.
3. Make sure that the coupling spacer is removed.  
The pump ships with the coupling spacer removed.
4. Unlock power to the driver.
5. Make sure that everyone is clear, and then jog the driver long enough to determine that the direction of rotation corresponds to the arrow on the bearing housing, or close-coupled frame.
6. Lock out power to the driver.

## Impeller-clearance check

The impeller-clearance check ensures the following:

- The pump turns freely.
- The pump operates at optimal efficiency for long equipment life and low energy consumption.

## Impeller clearances (3796)

**NOTICE:** Do not set the maximum impeller setting to more than 0.005 in. (0.13 mm) greater than the values in this table. Doing so may result in a significant decrease in performance.



**WARNING:** For pumpage temperatures greater than 200°F (93°C), you must increase the cold (ambient) setting according to this table. Doing so prevents the impeller from contacting the casing due to differential expansion from the higher operating temperatures. Failure to do so may result in sparks, unexpected heat generation, and equipment damage.

The 3796 requires the impeller clearances in the following table.

**Table 8: 3796 impeller clearances**

Service temperature	ST <sub>i</sub> , MT <sub>i</sub> , LT <sub>i</sub>
	in. (mm)
-20 to 200°F (-29 to 93°C)	0.015 (0.38)
Up to 250°F (121°C)	0.016 (0.41)
Up to 300°F (149°C)	0.017 (0.43)
Up to 350°F (177°C)	0.019 (0.48)
Up to 400°F (204°C)	0.020 (0.51)
Up to 450°F (232°C)	0.021 (0.53)
Up to 500°F (260°C)	0.022 (0.56)

## Impeller-clearance setting

### Importance of a proper impeller clearance

A proper impeller clearance ensures that the pump runs at high performance.

---



#### WARNING:

- The impeller clearance setting procedure must be followed. Improperly setting the clearance or not following any of the proper procedures can result in sparks, unexpected heat generation, and equipment damage.
  - If you use a cartridge mechanical seal, you must install the centering clips and loosen the set screws before you set the impeller clearance. Failure to do so could result in sparks, heat generation, and mechanical seal damage.
- 

### Impeller clearance methods

You can set the impeller clearance with either of these methods:

- Dial indicator method
- Feeler gauge method

## Set the impeller clearance - dial indicator method (all except CV 3196)

---

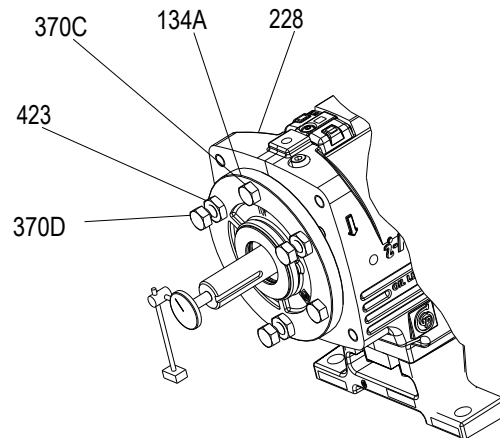


#### WARNING:

Always disconnect and lock out power to the driver before you perform any installation or maintenance tasks. Failure to disconnect and lock out driver power will result in serious physical injury.

---

1. Remove the coupling guard.
2. Set the indicator so that the button contacts either the shaft end or the face of the coupling.



3. Loosen the jam nuts (423) on the jack bolts (370D), and then back the bolts out about two turns.
4. Tighten the locking bolts evenly (370C), bringing the bearing housing (134A) towards the frame (228) until the impeller contacts the casing.
5. Turn the shaft to ensure that there is contact between the impeller and the casing.
6. Set the indicator to zero and loosen the locking bolt (370C) about one turn.
7. Thread in the jack bolts (370D) until the jack bolts evenly contact the bearing frame.
8. Tighten the jack bolts evenly about one flat at a time, moving the bearing housing (134A) away from the bearing frame until the indicator shows the correct clearance.



Refer to the impeller clearance table to determine the correct clearance.

9. Tighten the bolts evenly in this order:
  - a) Tighten the locking bolts (370C).
  - b) Tighten the jack bolts (370D).

Make sure to keep the indicator reading at the proper setting.
10. Make sure the shaft turns freely.

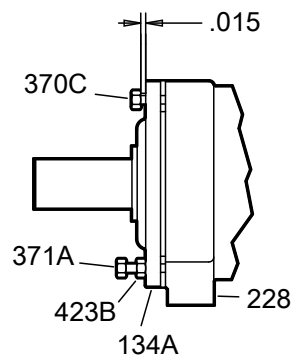
## Set the impeller clearance - feeler gauge method (all except CV 3196)



### WARNING:

Always disconnect and lock out power to the driver before you perform any installation or maintenance tasks. Failure to disconnect and lock out driver power will result in serious physical injury.

1. Lock out the driver power and remove the coupling guard.
2. Loosen the jam nuts (423B) on the jack bolts (371A), and then back the bolts out about two turns.



3. Evenly tighten the locking bolts (370C), bringing the bearing housing (134A) towards the frame (228) until the impeller contacts the casing.
4. Turn the shaft to ensure that there is contact between the impeller and the casing.
5. Use a feeler gauge to set the gap between the three locking bolts (370C) and the bearing housing (134A) to the correct impeller clearance.  
Refer to the impeller clearance table to determine the correct clearance.
6. Use the three jack bolts (370D) to evenly loosen the bearing housing (134A) until it contacts the locking bolts (370C).
7. Evenly tighten the jam nuts (423B).
8. Set the indicator to zero and turn back the locking bolt (370C) one turn.
9. Thread the adjuster bolts (371A) in until they evenly contact the bearing frame.
10. Tighten the adjuster bolts evenly (about one flat at a time) and back the bearing housing (134A) away from the bearing frame until the indicator shows the proper clearance per the Cold temperature axial clearance (open and closed impeller) table.
11. Evenly tighten the locking bolts (370C) and then the adjuster bolts (371A) while keeping the indicator reading at the proper setting.
12. Make sure the shaft turns freely.

## Couple the pump and driver



### WARNING:

Always disconnect and lock out power to the driver before you perform any installation or maintenance tasks. Failure to disconnect and lock out driver power will result in serious physical injury.

Couplings must have proper certification to be used in an ATEX classified environment. Use the instructions from the coupling manufacturer in order to lubricate and install the coupling.

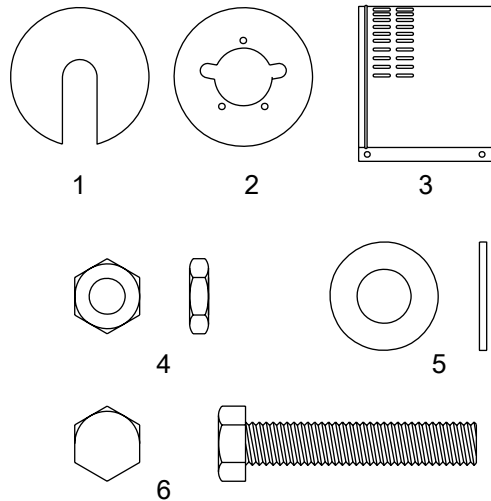
## Install the coupling guard



### WARNING:

- Never operate the pump without the coupling guard correctly installed.
- Always disconnect and lock out power to the driver before you perform any installation or maintenance tasks. Failure to disconnect and lock out driver power will result in serious physical injury.
- The coupling used in an Ex-classified environment must be properly certified and must be constructed from a non-sparking material.

Required parts:

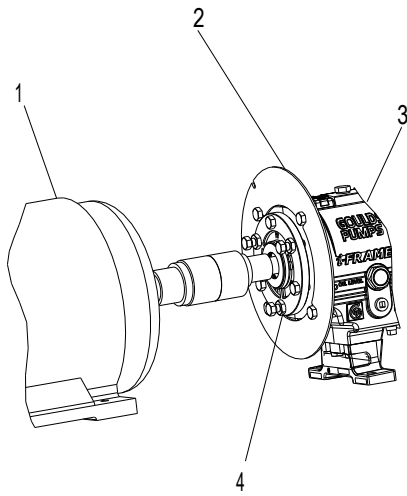


1. End plate, drive end
2. End plate, pump end
3. Guard half, 2 required
4. 3/8-16 nut, 3 required
5. 3/8 in. washer
6. 3/8-16 x 2 in. hex head bolt, 3 required

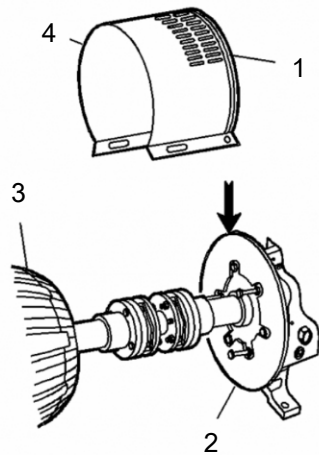
1. De-energize the motor, place the motor in a locked-out position, and place a caution tag at the starter that indicates the disconnect.
2. Put the pump-side end plate in place.

If the pump-side end plate is already in place, make any necessary coupling adjustments and then proceed to the next step.

If the pump size is...	Then...
STi, MTi, LTi	Align the pump-side end plate to the bearing frame. You do not need to adjust the impeller.
	<ol style="list-style-type: none"> <li>1. Align the end plate on the pump side to the bearing housing so that you meet these conditions:                             <ol style="list-style-type: none"> <li>a. The large slots on the end plate do not touch the bearing housing tap bolts.</li> <li>b. The small slots align with the impeller adjusting bolts.</li> </ol> </li> <li>2. Fasten the end plate to the bearing housing using the jam nuts on the impeller adjusting bolts.</li> <li>3. Check the impeller clearance. Refer to the impeller clearance table for the correct impeller clearance.</li> </ol>

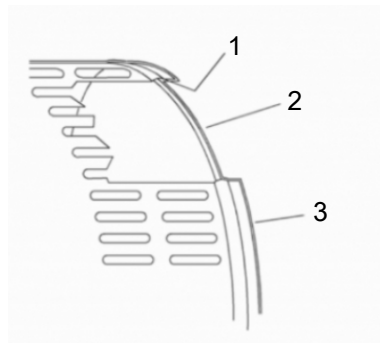


1. Driver
  2. Pump end plate
  3. Bearing housing
  4. Jam nut
3. Put the pump-half of the coupling guard in place:
    - a) Slightly spread the bottom apart.
    - b) Place the coupling guard half over the pump-side end plate.



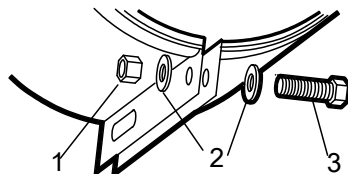
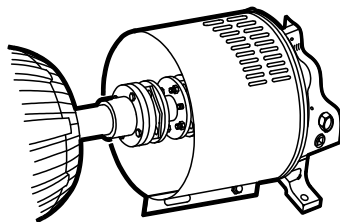
1. Annular groove
2. Pump-side end plate
3. Driver
4. Pump half of the coupling guard

The annular groove in the coupling guard half must fit around the end plate.



1. Annular groove
2. End plate (pump end)
3. Guard half

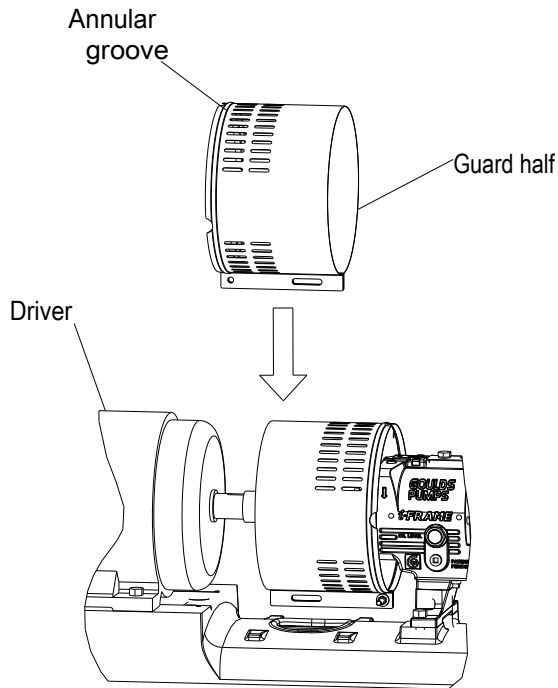
4. Use a bolt, a nut, and two washers to secure the coupling guard half to the end plate. Tighten securely.



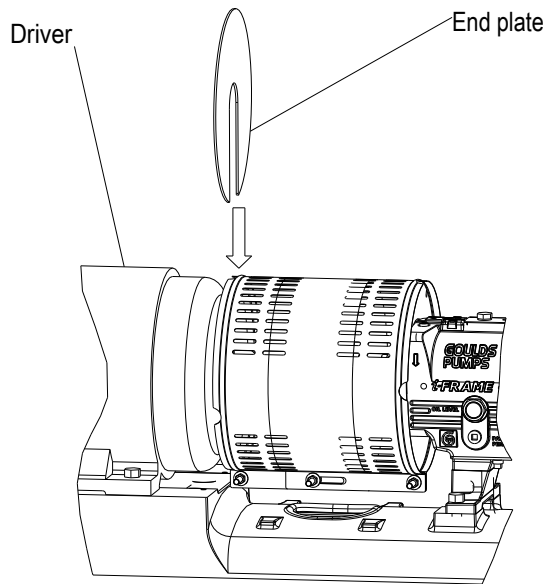
1. Nut
2. Washer
3. Bolt

5. Put the driver half of the coupling guard in place:
  - a) Slightly spread the bottom apart.
  - b) Place the driver half of the coupling guard over the pump half of the coupling guard.

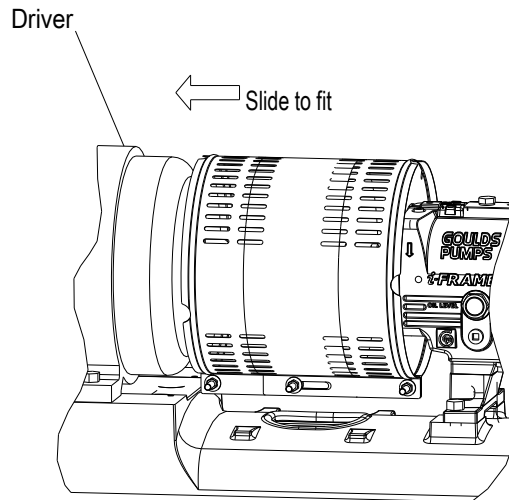
The annular groove in the coupling guard half must face the motor.



6. Place the driver-side end plate over the motor shaft.



7. Place the driver-side end plate in the annular groove of the driver-half of the coupling guard.
8. Use a bolt, a nut, and two washers to secure the coupling guard half to the end plate. Hand-tighten only.  
The hole is located on the driver-side of the coupling guard half.
9. Slide the driver-half of the coupling guard towards the motor so that the coupling guard completely covers the shafts and coupling.



10. Use a nut, a bolt, and two washers to secure the coupling guard halves together.
11. Tighten all nuts on the guard assembly.



**WARNING:**

Never operate the pump without the coupling guard correctly installed.

## Bearing lubrication



**WARNING:**

Make sure to properly lubricate the bearings. Failure to do so can result in excess heat generation, sparks, and premature failure.

**NOTICE:** Be certain to check the greasing on a pump that has been out of service for a long period of time and re-grease if necessary.

Pumps are shipped without oil. You must lubricate oil-lubricated bearings at the job site.

Grease-lubricated bearings are lubricated at the factory.

The bearing manufacturer fills greased-for-life bearings with grease and seals them at the factory. You do not need to lubricate or seal these bearings.

## Oil volumes

### Oil volume requirements

This table shows the required amount of oil for oil-lubricated bearings.

Frame	Qts.	Oz.	ml
STi	0.5	16	400
MTi	1.5	47	1400
LTi	1.5	48	1400

## Lubricating-oil requirements

### Oil requirements based on temperature

For the majority of operating conditions, bearing temperatures run between 120°F (49°C) and 180°F (82°C), and you can use an oil of ISO viscosity grade 68 at 100°F (38°C). If temperatures exceed 180°F (82°C), refer to the table for temperature requirements.

Temperature	Oil requirement
Bearing temperatures exceed 180°F (82°C)	Use ISO viscosity grade 100 with bearing-frame cooling or finned-tube oil cooler. The finned-tube oil cooler is standard with the HT 3196 model and optional for all other models.
Pumped-fluid temperatures exceed 350°F (177°C)	Use synthetic lubrication.

## Acceptable oil for lubricating bearings

### Acceptable lubricants

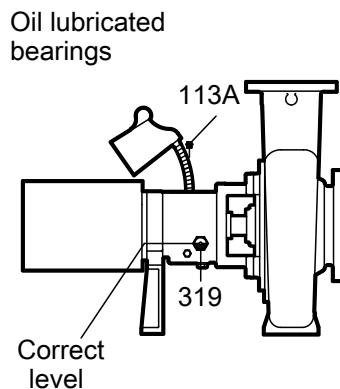
Brand	Lubricant type
Chevron	GTS Oil 68
Exxon	Teresttic EP 68
Mobil	DTE 26 300 SSU @ 100°F (38°C)
Philips	Mangus Oil 315
Shell	Tellus Oil 68
Sunoco	Sunvis 968
Royal Purple	SYNFILM ISO VG 68 Synthetic Lube

## Lubricate the bearings with oil

Use a high-quality turbine oil with rust and oxidation inhibitors.

1. Remove the fill plug.
2. Fill the bearing frame with oil through the filler connection, which is located on top of the bearing frame.

Fill the bearing frame with oil until the oil level reaches the middle of the sight glass (319).



3. Replace the fill plug.

## Lubricate the bearings with pure oil mist

Oil mist is an optional feature for this pump.

- To lubricate bearings with pure oil mist, follow the instructions provided by the manufacturer of the oil-mist generator.

The inlet connections are on the top of the bearing frame.

## Greased-for-life bearing lubrication

The bearing manufacturer fills greased-for-life bearings with grease and seals them at the factory. You do not need to lubricate or seal these bearings. Refer to the Maintenance chapter for re-greasing and maintenance procedures for these bearings.

## Shaft-sealing options

In most cases, the manufacturer seals the shaft before shipping the pump. If your pump does not have a sealed shaft, see the Shaft-seal maintenance section in the Maintenance chapter.

This model uses these types of shaft seals:

- Cartridge mechanical seal
- Conventional inside-component mechanical seal
- Conventional outside-component mechanical seal
- Packed-stuffing-box option

## Mechanical seal options

Pumps are usually shipped with mechanical seals installed. If they are not, then refer to the mechanical seal manufacturer's installation instructions.

These are the mechanical seal options for this pump:

- Cartridge mechanical seal
- Conventional inside component mechanical seal
- Conventional outside component mechanical seal

## Connection of sealing liquid for mechanical seals

### Seal lubrication is required

Seal faces must have liquid film between them for proper lubrication. Locate the taps using the illustrations shipped with the seal.

### Seal flushing methods

You can use these methods in order to flush or cool the seal:

Method	Description
Product flush	Run the piping so that the pump pushes the pumped fluid from the casing and injects it into the seal gland. If necessary, an external heat exchanger cools the pumped fluid before it enters the seal gland.
External flush	Run the piping so that the pump injects a clean, cool, compatible liquid directly into the seal gland. The pressure of the flushing liquid must be 5 to 15 psi (0.35 to 1.01 kg/cm <sup>2</sup> ) greater than the seal chamber pressure. The injection rate must be 0.5 to 2 gpm (2 to 8 lpm).
Other	You can use other methods that employ multiple gland or seal chamber connections. Refer to the mechanical seal reference drawing and piping diagrams.

## Packed stuffing box option



### WARNING:

Packed stuffing boxes are not allowed in an ATEX-classified environment.

The factory does not install the packing, lantern ring, or split gland.

These parts are included with the pump in the box of fittings. Before you start the pump, you must install the packing, lantern ring, and split gland according to the Packed stuffing box maintenance section in the Maintenance chapter.

## Connection of sealing liquid for a packed stuffing box



### WARNING:

Packed stuffing boxes are not allowed in an ATEX-classified environment.



**NOTICE:**

Make sure to lubricate the packing. Failure to do so may result in shortening the life of the packing and the pump.

You must use an external sealing liquid under these conditions:

- The pumped fluid includes abrasive particles.
- The stuffing-box pressure is below atmospheric pressure when the pump is running with a suction lift or when the suction source is in a vacuum. Under these conditions, packing is not cooled and lubricated and air is drawn into pump.

**Conditions for application of an external liquid**

If...	Then...
The stuffing box pressure is above atmospheric pressure and the pumped fluid is clean.	Normal gland leaks of 40 to 60 drops per minute is usually sufficient to lubricate and cool the packing. You do not need sealing liquid.
The stuffing box pressure is below atmospheric pressure or the pumped fluid is not clean.	An outside source of clean compatible liquid is required.
An outside source of clean compatible liquid is required.	You must connect the piping to the lantern ring connection with a 40 to 60 drops-per-minute leak rate. The pressure must be 15 psi (1.01 kg/cm <sup>2</sup> ) above the stuffing box pressure.

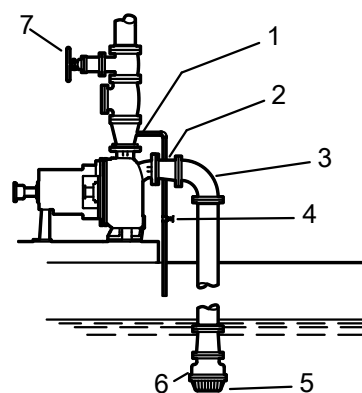
## Pump priming

### Pump priming with the suction supply below the pump (3796)

Model 3796 is self-priming and does not require a foot valve in the suction line or manual priming prior to startup (except for the initial charge). However, in a pressurized system, the pump requires an air vent or a permanent bypass line in the discharge piping to vent the evacuated air.

This illustration is an example of priming a 3796 pump in a pressurized system.

#### 3796 Priming in a Pressurized System



1. By-pass line
2. Concentric reducer
3. Long radius elbow
4. Shutoff valve
5. Strainer
6. Foot valve (if used)
7. Discharge isolation valve

**Figure 16: Priming a 3796 pump**

## Start the pump

---



**CAUTION:**

- Immediately observe the pressure gauges. If discharge pressure is not quickly attained, stop the driver, reprime, and attempt to restart the pump.
  - Observe the pump for vibration levels, bearing temperature, and excessive noise. If normal levels are exceeded, shut down the pump and resolve the issue.
- 

Before you start the pump, you must perform these tasks:

- Open the suction valve.
  - Open any recirculation or cooling lines.
1. Fully close or partially open the discharge valve, depending on system conditions.
  2. Start the driver.
  3. Slowly open the discharge valve until the pump reaches the desired flow.
  4. Immediately check the pressure gauge to ensure that the pump quickly reaches the correct discharge pressure.
  5. If the pump fails to reach the correct pressure, perform these steps:
    - a) Stop the driver.
    - b) Prime the pump again.
    - c) Restart the driver.
  6. Monitor the pump while it is operating:
    - a) Check the pump for bearing temperature, excessive vibration, and noise.
    - b) If the pump exceeds normal levels, then shut down the pump immediately and correct the problem.

A pump can exceed normal levels for several reasons. See Troubleshooting for information about possible solutions to this problem.
  7. Repeat steps 5 and 6 until the pump runs properly.

## Activate the i-ALERT™ Condition Monitor

---



**WARNING:**

Never heat the condition monitor to temperatures in excess of 300°F (149°C). Heating to these temperatures could result in death or serious injury.

---



**CAUTION:**

Always wear protective gloves. The pump and condition monitor can be hot.

---

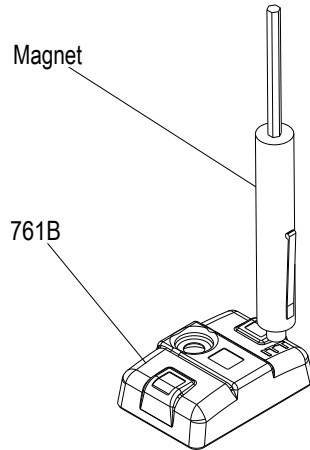
**NOTICE:**

Do not use the condition monitor in atmospheres containing acetic acid.

---

The condition monitor is ready for activation when the pump is running and has reached a steady flow, pressure, and temperature. This process only takes a few minutes.

Place a small magnet on the condition monitor over the ITT logo and then remove it, as this example shows.



When the condition monitor is activated it:

1. Displays a series of red LEDs followed by a solid green LED.
2. Collects eight samples that are spaced one second apart.
3. Averages these readings to establish the baseline vibration level.
4. Flashes a green LED after approximately twelve seconds.

For the first ten minutes, the green LED flashes every second for five consecutive flashes and then pauses to take a vibration reading. More frequent measurements (every six seconds) are taken in this startup period so that an alarm can be immediately detected.

## i-ALERT™ Condition Monitor routine operation

### Measurement interval

This table shows the measurement intervals for the condition monitor during normal operation and when the monitor is in alarm mode.

Mode	Measurement interval
Normal operating mode	Five minutes
Alarm mode	Two minutes

When the condition monitor measures a reading beyond the specified temperature and vibration limits, the appropriate red LED flashes. After the process or pump condition that causes the alarm is corrected, the condition monitor returns to normal mode after one normal-level measurement.

### Alarm mode

When the condition monitor is in alarm mode, you should investigate the cause of the condition and make necessary corrections in a timely manner.

### Magnetic device considerations

Be careful when you use magnetic devices in close proximity of the condition monitor, such as magnetic vibration-monitoring probes or dial indicators. These magnetic devices can accidentally activate or deactivate the condition monitor resulting in improper alarm levels or loss of monitoring.

## Pump operation precautions

### General considerations

---

**CAUTION:**

- Vary the capacity with the regulating valve in the discharge line. Never throttle the flow from the suction side since this can result in decreased performance, unexpected heat generation, and equipment damage.
  - Do not overload the driver. Driver overload can result in unexpected heat generation and equipment damage. The driver can overload in these circumstances:
    - The specific gravity of the pumped fluid is greater than expected.
    - The pumped fluid exceeds the rated flow rate.
  - Make sure to operate the pump at or near the rated conditions. Failure to do so can result in pump damage from cavitation or recirculation.
- 

### Operation at reduced capacity

---

**WARNING:**

Never operate any pumping system with a blocked suction and discharge. Operation, even for a brief period under these conditions, can cause confined pumped fluid to overheat, which results in a violent explosion. You must take all necessary measures to avoid this condition.

---

**CAUTION:**

- Avoid excessive vibration levels. Excessive vibration levels can damage the bearings, stuffing box or seal chamber, and the mechanical seal, which can result in decreased performance.
  - Avoid increased radial load. Failure to do so can cause stress on the shaft and bearings.
  - Avoid heat build-up. Failure to do so can cause rotating parts to score or seize.
  - Avoid cavitation. Failure to do so can cause damage to the internal surfaces of the pump.
- 

### Operation under freezing conditions

---

**NOTICE:**

Do not expose an idle pump to freezing conditions. Drain all liquid that is inside the pump and the cooling coils. Failure to do so can cause liquid to freeze and damage the pump.

---

## Shut down the pump

---

**WARNING:**

The pump can handle hazardous and toxic fluids. Identify the contents of the pump and observe proper decontamination procedures in order to eliminate the possible exposure to any hazardous or toxic fluids. Wear the proper personal protective equipment. Potential hazards include, but are not limited to, high temperature, flammable, acidic, caustic, explosive, and other risks. You must handle and dispose of pumped fluid in compliance with the applicable environmental regulations.

---

1. Slowly close the discharge valve.
  2. Shut down and lock the driver to prevent accidental rotation.
-

## Deactivate the i-ALERT™ Condition Monitor

---

**NOTICE:** Always deactivate the condition monitor when the pump is going to be shut down for an extended period of time. Failure to do so will result in reduced battery life.

1. Touch and hold a small magnet to the condition monitor over the IIT logo until the red LEDs blink three times.

This should take 10-15 seconds if the condition monitor is in normal operating mode and approximately five seconds if the condition monitor is in alarm mode.

2. Remove the magnet.

If the deactivation is successful, solid red LEDs will be displayed.

## Reset the i-ALERT™ Condition Monitor

---

**NOTICE:** Always reset the condition monitor when the pump is started after maintenance, system change, or down-time. Failure to do so may result in false baseline levels that could cause the condition monitor to alert in error.

Touch a magnet to the condition monitor over the IIT logo to turn the power on.

The condition monitor begins to establish a new baseline vibration level.

## Make the final alignment of the pump and driver

---



### WARNING:

- Always disconnect and lock out power to the driver before you perform any installation or maintenance tasks. Failure to disconnect and lock out driver power will result in serious physical injury.
- Follow shaft alignment procedures in order to prevent catastrophic failure of drive components or unintended contact of rotating parts. Follow the coupling installation and operation procedures from the coupling manufacturer.

You must check the final alignment after the pump and driver are at operating temperature. For initial alignment instructions, see the Installation chapter.

1. Run the unit under actual operating conditions for enough time to bring the pump, driver, and associated system to operating temperature.
2. Shut down the pump and the driver.
3. Remove the coupling guard.  
See Remove the coupling guard in the Maintenance chapter.
4. Check the alignment while the unit is still hot.  
See Pump-to-driver alignment in the Installation chapter.
5. Reinstall the coupling guard.
6. Restart the pump and driver.

# Maintenance

## Maintenance schedule

### Maintenance inspections

A maintenance schedule includes these types of inspections:

- Routine maintenance
- Routine inspections
- Three-month inspections
- Annual inspections

Shorten the inspection intervals appropriately if the pumped fluid is abrasive or corrosive or if the environment is classified as potentially explosive.

### Routine maintenance

Perform these tasks whenever you perform routine maintenance:

- Lubricate the bearings.
- Inspect the seal.

### Routine inspections

Perform these tasks whenever you check the pump during routine inspections:

- Check the level and condition of the oil through the sight glass on the bearing frame.
- Check for unusual noise, vibration, and bearing temperatures.
- Check the pump and piping for leaks.
- Analyze the vibration.
- Inspect the discharge pressure.
- Inspect the temperature.
- Check the seal chamber and stuffing box for leaks.
  - Ensure that there are no leaks from the mechanical seal.
  - Adjust or replace the packing in the stuffing box if you notice excessive leaking.

### Three-month inspections

Perform these tasks every three months:

- Check that the foundation and the hold-down bolts are tight.
- Check the packing if the pump has been left idle, and replace as required.
- Change the oil every three months (2000 operating hours) at minimum.
  - Change the oil more often if there are adverse atmospheric or other conditions that might contaminate or break down the oil.
- Check the shaft alignment, and realign as required.

### Annual inspections

Perform these inspections one time each year:

- Check the pump capacity.
- Check the pump pressure.
- Check the pump power.

If the pump performance does not satisfy your process requirements, and the process requirements have not changed, then perform these steps:

1. Disassemble the pump.
2. Inspect it.
3. Replace worn parts.

## Bearing maintenance

These bearing lubrication sections list different temperatures of the pumped fluid. If the pump is ATEX-certified and the temperature of the pumped fluid exceeds the permitted temperature values, then consult your ITT representative.

### Bearing lubrication schedule

Type of bearing	First lubrication	Lubrication intervals
Oil-lubricated bearings	Add oil before you install and start the pump. Change the oil after 200 hours for new bearings.	After the first 200 hours, change the oil every 2000 operating hours or every three months.
Grease-lubricated bearings	Grease-lubricated bearings are initially lubricated at the factory.	Regrease bearings every 2000 operating hours or every three months.

## Lubricating-oil requirements

### Oil requirements based on temperature

For the majority of operating conditions, bearing temperatures run between 120°F (49°C) and 180°F (82°C), and you can use an oil of ISO viscosity grade 68 at 100°F (38°C). If temperatures exceed 180°F (82°C), refer to the table for temperature requirements.

Temperature	Oil requirement
Bearing temperatures exceed 180°F (82°C)	Use ISO viscosity grade 100 with bearing-frame cooling or finned-tube oil cooler. The finned-tube oil cooler is standard with the HT 3196 model and optional for all other models.
Pumped-fluid temperatures exceed 350°F (177°C)	Use synthetic lubrication.

## Oil volumes

### Oil volume requirements

This table shows the required amount of oil for oil-lubricated bearings.

Frame	Qts.	Oz.	ml
STi	0.5	16	400
MTi	1.5	47	1400
LTi	1.5	48	1400

## Acceptable oil for lubricating bearings

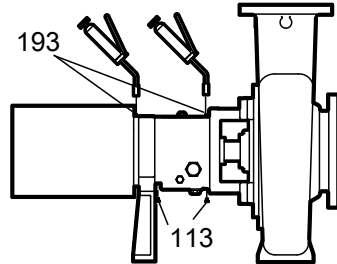
### Acceptable lubricants

Brand	Lubricant type
Chevron	GTS Oil 68
Exxon	Teresstic EP 68
Mobil	DTE 26 300 SSU @ 100°F (38°C)
Philips	Mangus Oil 315
Shell	Tellus Oil 68
Sunoco	Sunvis 968
Royal Purple	SYNFILM ISO VG 68 Synthetic Lube

## Regrease the grease-lubricated bearings

**NOTICE:**

Make sure that the grease container, the greasing device, and the fittings are clean. Failure to do this can result in impurities entering the bearing housing when you regrease the bearings.



1. Wipe dirt from the grease fittings.
2. Remove the two grease-relief plugs from the bottom of the frame.
3. Fill both of the grease cavities through the fittings with a recommended grease until the fresh grease comes out of the relief holes.
4. Make sure that the frame seals are seated in the bearing housing.  
If they are not, press them in place with the drains located at the bottom.
5. Reinstall the grease-relief plugs.
6. Wipe off any excess grease.
7. Recheck the alignment.

The bearing temperature usually rises after you regrease due to an excess supply of grease. Temperatures return to normal in about two to four operating hours as the pump runs and purges the excess grease from the bearings.

## Lubricating-grease requirements

### Precautions

**NOTICE:**

- Never mix greases of different consistencies (NLGI 1 or 3 with NLGI 2) or with different thickeners. For example, never mix a lithium-based grease with a polyurea-based grease. Doing so may result in decreased performance.
- Remove the bearings and old grease if you need to change the grease type or consistency. Failure to do so may result in equipment damage or decreased performance.

### Bearing temperature

Bearing temperatures are generally about 20°F (18°C) greater than bearing-housing outer surface temperatures.

This table shows the type of grease required for the operating temperature of the pump.

Bearing temperature	Type of grease
5°F to 230°F (-15°C to 110°C)	Use a lithium-based mineral-oil grease with a consistency of NLGI 2.



Bearing temperature	Type of grease
Exceed 350°F (177°C)	Use a high-temperature grease. Mineral-oil greases should have oxidation stabilizers and a consistency of NGLI 3.

### Grease recommendations based on temperature

Most pumps use Sunoco 2EP grease. High temperature units that can pump fluids with a temperature greater than 350° F (177°C) use Mobil SCH32.

This table shows which brand of grease to use when lubricating the pump.

Brand	When temperature of pumped fluid is less than 350°F (177°C) - NLGI consistency 2	When temperature of pumped fluid is greater than 350°F (177°C) - NLGI consistency 3
Mobil	Mobilux EP2	SCH32
Exxon	Unirex N2	Unirex N3
Sunoco	Multipurpose 2EP	N/A
SKF	LGMT 2	LGMT 3

## Lubricate the bearings after a shutdown period

1. Flush out the bearings and bearing frame with a light oil to remove contaminants.  
During flushing, make sure to rotate the shaft slowly by hand.
2. Flush the bearing housing with the proper lubricating oil to ensure oil quality after cleaning.

## Shaft seal maintenance

### Mechanical-seal maintenance



#### WARNING:

The mechanical seal used in an Ex-classified environment must be properly certified. Prior to startup, make sure that all areas that could leak pumped fluid to the work environment are closed.



#### CAUTION:

Never operate the pump without liquid supplied to mechanical seal. If you run a mechanical seal dry, even for a few seconds, this can cause seal damage. Physical injury can occur if a mechanical seal fails.

### Reference drawing

The manufacturer supplies a reference drawing with the data package. Keep this drawing for future use when you perform maintenance and seal adjustments. The seal drawing specifies the required flush fluid and attachment points.

### Before you start the pump

Check the seal and all flush piping.

### Mechanical seal life

The life of a mechanical seal depends on the cleanliness of the pumped fluid. Due to the diversity of operating conditions, it is not possible to give definite indications as to the life of a mechanical seal.

## Packed stuffing-box maintenance

---



### WARNING:

- Packed stuffing boxes are not allowed in an ATEX-classified environment.
  - Never attempt to replace the packing until the driver is properly locked out and the coupling spacer is removed.
- 

### Accepted leakage rate

It is not necessary to shut down or disassemble the pump to inspect the packing operation. During normal operation, the packing should leak approximately one drop per minute.

### Adjustment of gland

Adjust the gland if the leakage rate is greater than or less than the specified rate.

Evenly adjust each of the two gland bolts with a one-quarter (1/4) turn until the desired leakage rate is obtained. Tighten the bolts to decrease the rate. Loosen the bolts to increase the rate.

### Tightening of packing

---

**NOTICE:** Never over-tighten packing to the point where less than one drop per minute is observed. Over-tightening can cause excessive wear and power consumption during operation.

---

If you cannot tighten the packing to obtain less than the specified leakage rate, then replace the packing.

---

## Disassembly

### Disassembly precautions

---



### WARNING:

- Make sure that the pump is isolated from the system and that pressure is relieved before you disassemble the pump, remove plugs, open vent or drain valves, or disconnect the piping.
  - Always disconnect and lock out power to the driver before you perform any installation or maintenance tasks. Failure to disconnect and lock out driver power will result in serious physical injury.
  - Crush hazard. The unit and the components can be heavy. Use proper lifting methods and wear steel-toed shoes at all times.
  - The pump can handle hazardous and toxic fluids. Identify the contents of the pump and observe proper decontamination procedures in order to eliminate the possible exposure to any hazardous or toxic fluids. Wear the proper personal protective equipment. Potential hazards include, but are not limited to, high temperature, flammable, acidic, caustic, explosive, and other risks. You must handle and dispose of pumped fluid in compliance with the applicable environmental regulations.
- 

### NOTICE:

Make sure that all replacement parts are available before you disassemble the pump for overhaul.

---

### Tools required

In order to disassemble the pump, you need these tools:

- Bearing puller
  - Brass drift punch
  - Cleaning agents and solvents
  - Dial indicators
  - Feeler gauges
  - Hex wrenches
  - Hydraulic press
-

- Induction heater
- Leveling blocks and shims
- Lifting sling
- Micrometer
- Rubber mallet
- Screwdriver
- Snap-ring pliers
- Torque wrench with sockets
- Wrenches

## Drain the pump




---

### CAUTION:

- Allow all system and pump components to cool before you handle them to prevent physical injury.
  - If your pump is a Model NM3171, NM3196, 3198, 3298, 3700, V3298, SP3298, 4150, 4550, 3107 or 3296 EZMAG, there is a possible risk of static electric discharge from plastic parts that are not properly grounded. If the pumped fluid is non-conductive, drain and flush the pump with a conductive fluid under conditions that will not allow for a spark to be released to the atmosphere.
- 

1. Close the isolation valves on the suction and discharge sides of the pump.  
You must drain the system if no valves are installed.
2. Open the drain valve.  
Do not proceed until liquid stops coming out of the drain valve. If liquid continues to flow from the drain valve, the isolation valves are not sealing properly and you must repair them before you proceed.
3. Leave the drain valve open and remove the drain plug located on the bottom of the pump housing.  
Do not reinstall the plug or close the drain valve until the reassembly is complete.
4. Drain the liquid from the piping and flush the pump if it is necessary.
5. Disconnect all auxiliary piping and tubing.
6. Remove the coupling guard.

## Remove the coupling

1. Disconnect the coupling.
2. Remove the C-face adapter.
3. Remove the coupling-guard pump end-plate.

## Remove the back pull-out assembly



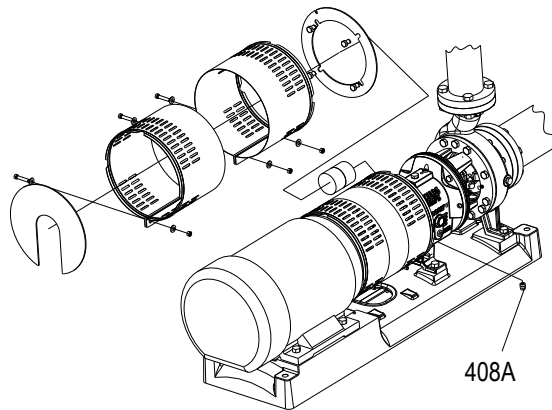

---

### CAUTION:

Never remove the back pull-out assembly without assistance.

---

1. Is your bearing frame oil lubricated?
  - If No: Proceed to step 2.
  - If Yes:
    1. Remove the bearing-frame drain plug (408A) in order to drain oil from the bearing frame.
    2. Replace the plug after the oil is drained.
    3. Remove the oil reservoir, if equipped.



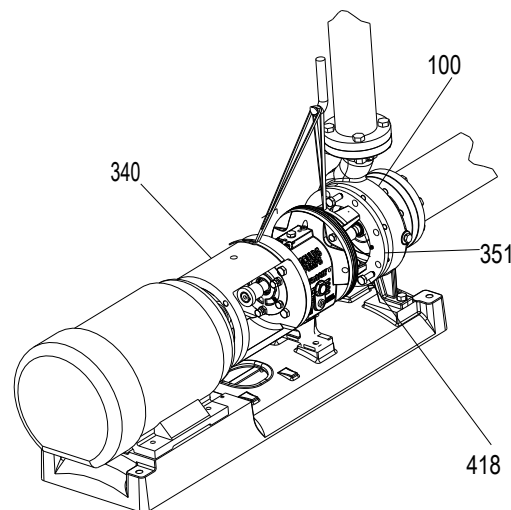
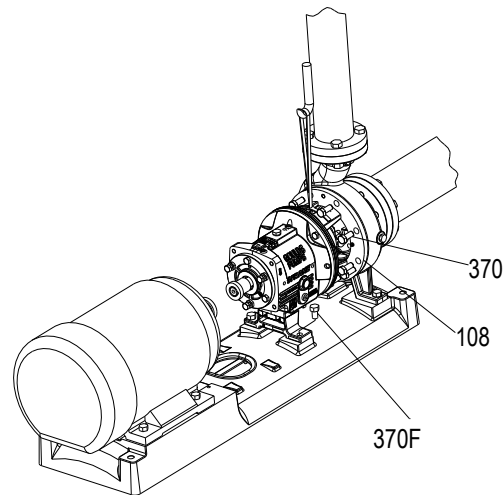
---

**NOTICE:**

Oil analysis should be part of a preventive maintenance program that determines the cause of a failure. Save the oil in a clean container for inspection.

---

2. Does your pump use a C-face adapter?
  - If Yes: Place one sling from the hoist through the frame adapter (108) or frame (228A) for the STi and a second sling from the hoist through the C-face adapter.
  - If No: Place a sling from the hoist through the frame adapter (108) or the frame (228A) for the STi.



3. Remove the hold-down bolts of the bearing frame foot.
4. Remove the casing bolts.

**WARNING:**

- Never use heat to disassemble the pump due to the risk of an explosion from trapped liquid.

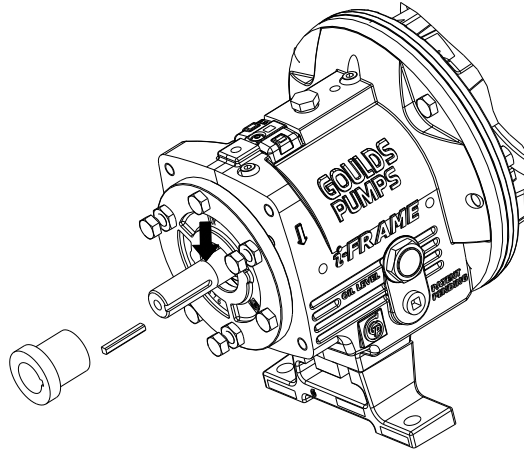
5. Tighten the jackscrews evenly, using an alternating pattern, in order to remove the back pull-out assembly.  
You can use penetrating oil if the adapter to the casing joint is corroded.
6. Remove the back pull-out assembly from the casing (100).
7. Mark and remove the shims from under the frame foot and save them for reassembly.
8. Remove and discard the casing gasket.  
You will insert a new casing gasket during reassembly.
9. Remove the jackscrews.
10. Clean all gasket surfaces.

Clean surfaces prevent the casing gasket from partially adhering to the casing due to binders and adhesives in the gasket material.

## Remove the coupling hub

1. Clamp the frame adapter securely to the workbench.
2. Remove the coupling hub.

Mark the shaft for relocation of the coupling hub during reassembly.



## Impeller removal

### Remove the impeller ( STi , MTi , and LTi )



**WARNING:**

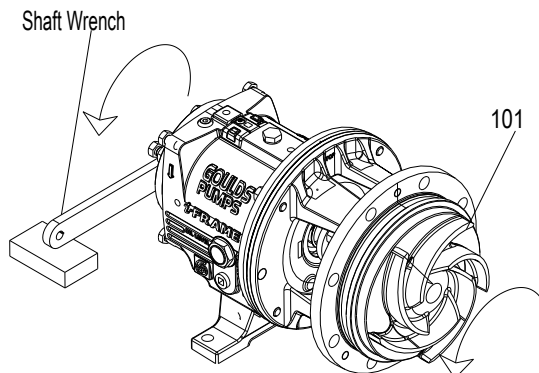
Never apply heat to remove an impeller. The use of heat may cause an explosion due to trapped liquid, resulting in severe physical injury and property damage.



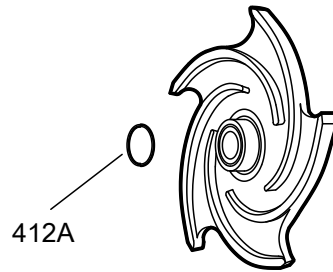
**CAUTION:**

Wear heavy work gloves when you handle impellers. The sharp edges can cause physical injury.

1. Slide the shaft wrench (A05107A or A01676A) over the shaft (122) and key.
2. Rotate the impeller (101) clockwise (viewed from the impeller end of the shaft) and raise the wrench off of the work surface.
3. To loosen the impeller, quickly turn it counter-clockwise (viewed from the impeller end of the shaft) while impacting the wrench handle on the workbench or a solid block.



4. Repeat step 3 until the impeller becomes loose.
5. Remove and discard the impeller O-ring (412A).  
You will insert a new O-ring during reassembly.



**Figure 17: O-ring for models 3196, HT 3196, NM 3196, 3198, and 3796**

If the impeller cannot be removed by the previous methods, cut the shaft between the gland and the frame, remove the impeller, stuffing-box cover, gland, sleeve, and shaft end as a unit. Do not apply heat.

## Seal-chamber cover removal

### Seal-chamber removal procedures

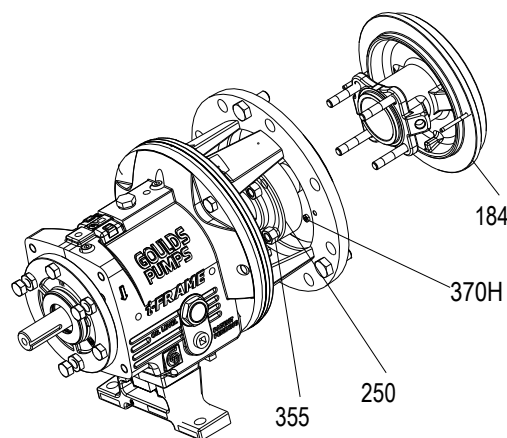
Choose from one of these procedures to remove the seal-chamber cover.

**Table 9: Procedures for seal-chamber cover removal by model**

Model	Procedure
3196, CV 3196, HT 3196, LF 3196, 3796	Remove the seal-chamber cover.
NM 3196, 3198	Remove the seal-chamber cover and/or backplate.

## Remove the seal-chamber cover (3196, CV 3196, HT 3196, LF 3196, 3796)

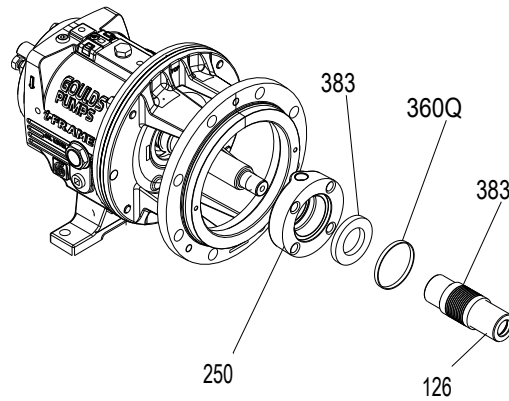
1. Remove the gland stud nuts (355).
2. Remove the seal-chamber stud nuts (370H).
3. Remove the seal chamber (184).



4. Remove the shaft sleeve (126) if it is used.  
The mechanical seal is attached to the sleeve.

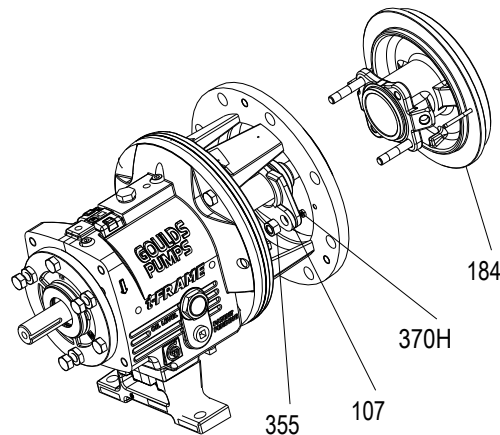
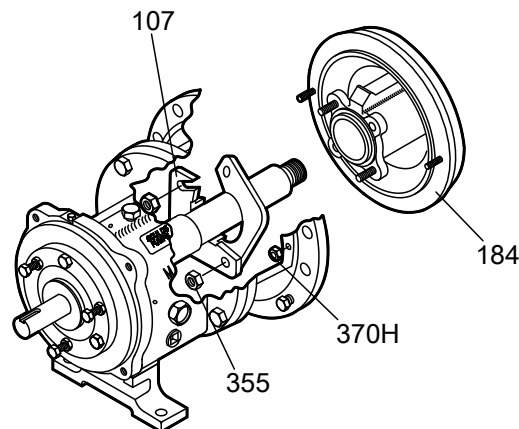
**NOTICE:** Be careful with the stationary portion of the mechanical seal that is either clamped between the backplate and the gland or seated in the seal-chamber bore. Failure to do so may result in equipment damage.

5. Remove the rotary portion of the seal from the sleeve by loosening the setscrews and sliding it off the sleeve.  
Refer to the mechanical-seal instructions for more information.
6. Remove the gland (250), the stationary portion of the seal, and the O-ring (360Q).



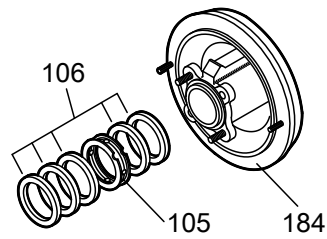
### Remove the stuffing-box cover (3196, CV 3196, HT 3196, LF 3196, 3796)

1. Remove the gland nuts (355) and the gland (107).
2. Remove the stuffing-box-cover nuts (370H).
3. Remove the stuffing-box cover (184).

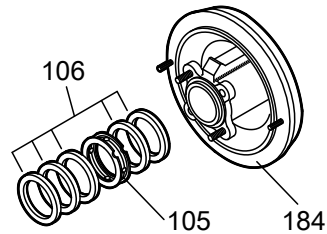


4. Remove the shaft sleeve (126).





- Remove the packing (106) and lantern ring (105) from the stuffing-box cover (184).  
A lantern ring does not come with self-lubricating graphite packing.



## Remove the frame adapter (MTi, LTi)

The 3198 frame adapter is not interchangeable with the adapter of any other model.

- Remove the dowel pins (469B) and the bolts (370B).
- Remove the frame adapter (108).
- Remove and discard the gasket (360D).

You will install a new gasket during reassembly.

## Remove the inboard labyrinth oil seal

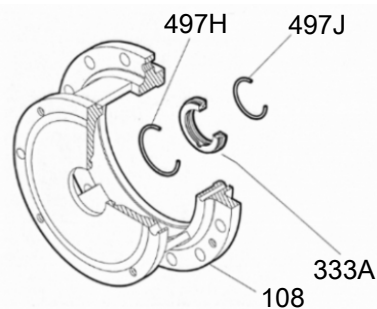
Labyrinth oil-seal O-rings are part of the 3196 maintenance kits, and they are sold separately.

- Determine the fit of your labyrinth oil seal.

**Table 10: Labyrinth oil-seal fit**

Model	Type of fit
STi	O-ring fit into the bearing-frame adapter (228A)
MTi, LTi	O-ring fit into the frame adapter

- Remove the O-rings (497H and 497J) and the seal (333A).

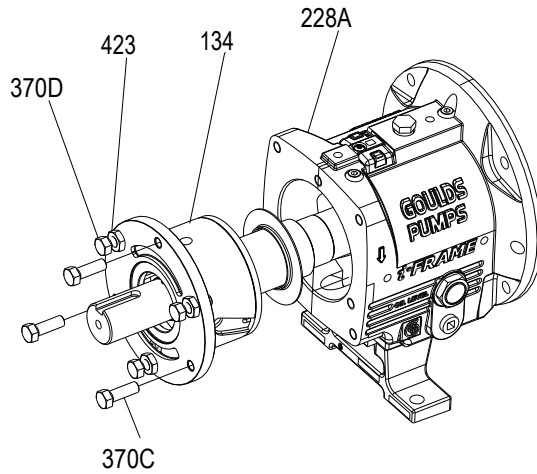


## Power-end disassembly

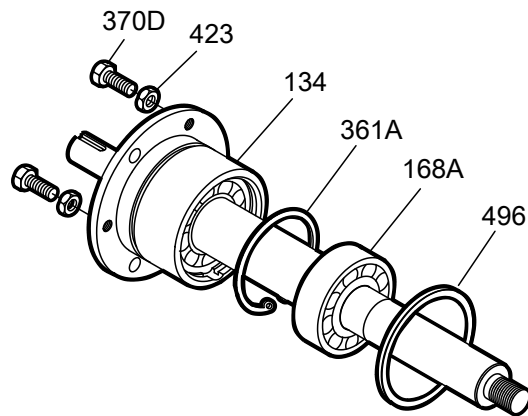
### Disassemble the power end ( STi , MTi )

- Remove the clamp screws (370C) and back off the jam nuts (423).
- Tighten the jack screws (370D) evenly to move the bearing housing (134) out of the bearing frame (228A).

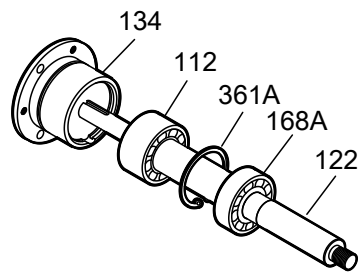
3. Remove the shaft assembly from the bearing frame (228A).



4. Remove the jack screws (370D) with nuts (423).
5. Remove the bearing housing O-ring (496) and the bearings.
6. Remove the outboard bearing retaining snap ring (361A).



7. Remove the bearing housing (134) and bearings (112A and 168A) from the shaft (122).

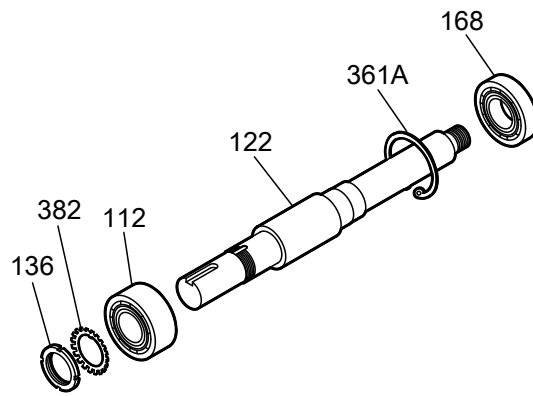


8. Remove the bearing locknut (136) and bearing lock washer (382).
9. Remove the inboard bearing (168A).
10. Remove the outboard bearing (112A).

**NOTICE:** Use force only on the inner race when you press bearings off the shaft. Do not use force in situations in which you might break a part. Doing so may result in equipment damage.

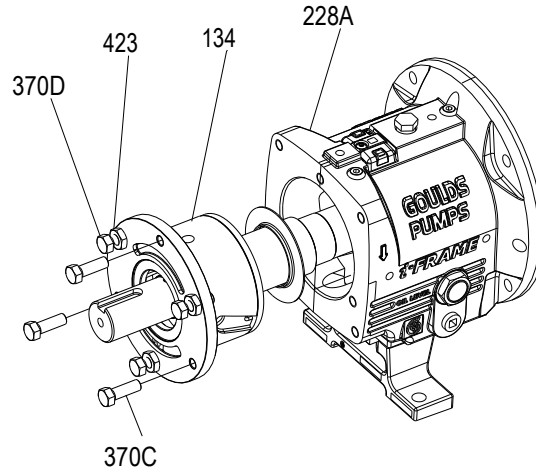
**NOTICE:**

Save the bearings for inspection. Do not reuse the bearings. Doing so may result in decreased performance.

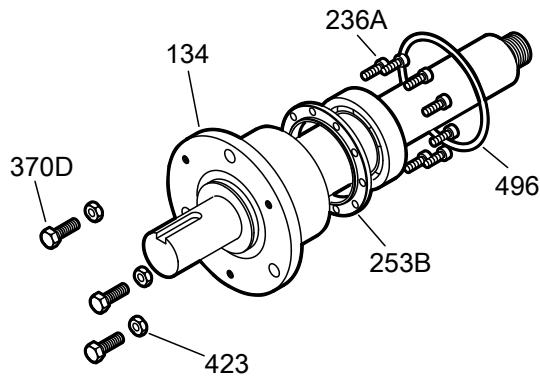


### Disassemble the power end ( STi and MTi with duplex bearings)

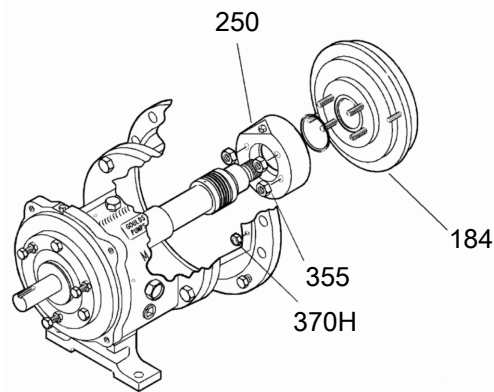
1. Remove the clamp screws (370C) and back off the jam nuts (423).
2. Tighten the jack screws (370D) evenly to move the bearing housing (134) out of the bearing frame (228A).
3. Remove the shaft assembly from the bearing frame (228A).



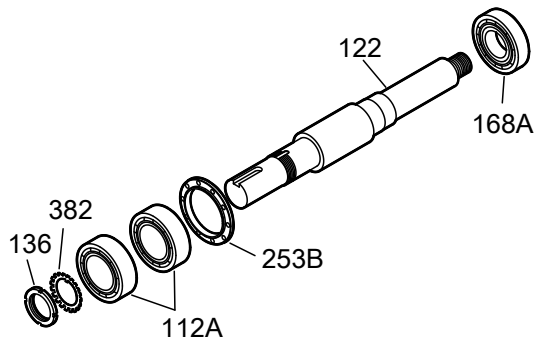
4. Remove the jack screws (370D) with the nuts (423).



5. Remove the bearing housing O-ring (496).
6. Remove the clamp ring screws (236A) and separate the clamp ring (253B) from the bearing housing (134).  
You must remove the bearings before you can remove the clamp ring from the shaft.
7. Remove the bearing housing (134) and the bearings (112A and 168A) from the shaft (122).



8. Remove the inboard bearing (168A).



9. Remove the bearing locknut (136) and bearing lockwasher (382).
10. Remove the outboard bearings (112A).

---

**NOTICE:** Use force only on the inner race when you press bearings off the shaft. Do not use force in situations in which you might break a part. Doing so may result in equipment damage.

---

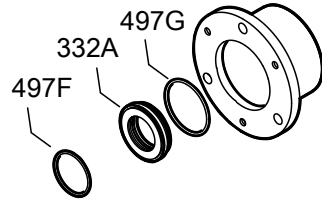
**NOTICE:**

Save the bearings for inspection. Do not reuse the bearings. Doing so may result in decreased performance.

---

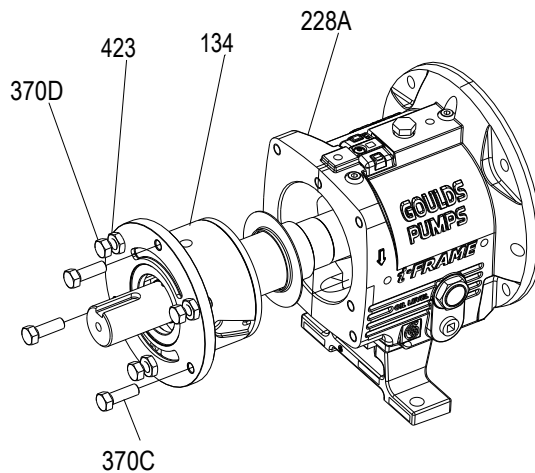
- Remove the outboard labyrinth oil seal (332A) from the bearing housing (134).

Remove the O-rings (497F and 497G) if it is necessary. Labyrinth oil seal O-rings are part of the 3196 maintenance kits and they are sold separately.



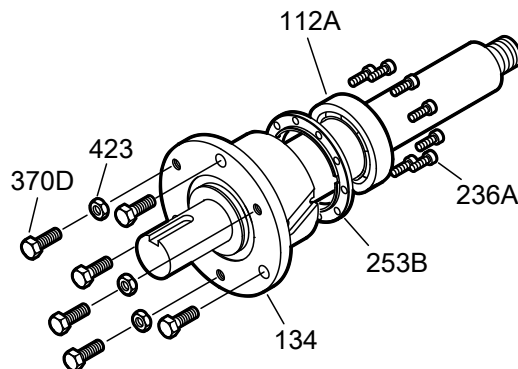
### Disassemble the power end ( LTi )

- Remove the clamp screws (370C) and back off the jam nuts (423).
- Evenly tighten the jack screws (370D) to move the bearing housing (134) out of the bearing frame (228A).
- Remove the shaft assembly from the bearing frame (228A).

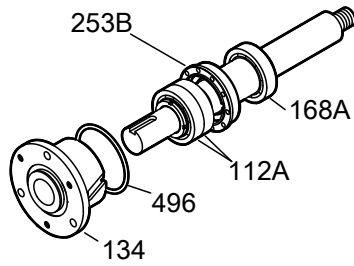


- Remove the jack screws (370D) with the nuts (423).
- Remove the clamp-ring screws (236A) and separate the clamp ring (253B) from the bearing housing (134).

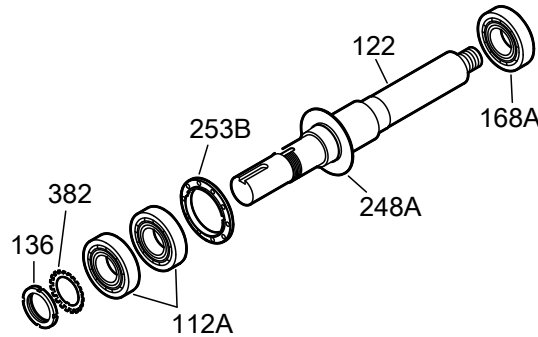
You must remove the bearings before you can remove the clamp ring from the shaft.



- Remove the bearing housing (134) and the bearings (112A and 168A) from the shaft (122).



7. Remove the bearing housing O-ring (496) and the inboard bearing (168A).



8. Remove the bearing locknut (136) and the bearing lockwasher (382).
9. Remove the outboard bearings (112A) and the clamp ring (253B).

---

**NOTICE:** Do not remove the oil flinger unless it is damaged. Doing so may result in unnecessary shutdown time or equipment damage.

---

**NOTICE:** Use force only on the inner race when you press bearings off the shaft. Do not use force in situations in which you might break a part. Doing so may result in equipment damage.

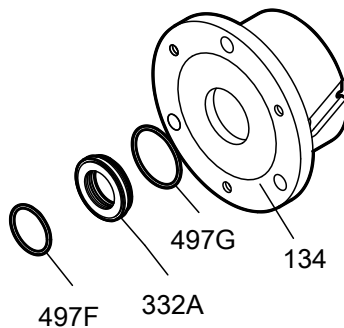
---

**NOTICE:**

Save the bearings for inspection. Do not reuse the bearings. Doing so may result in decreased performance.

---

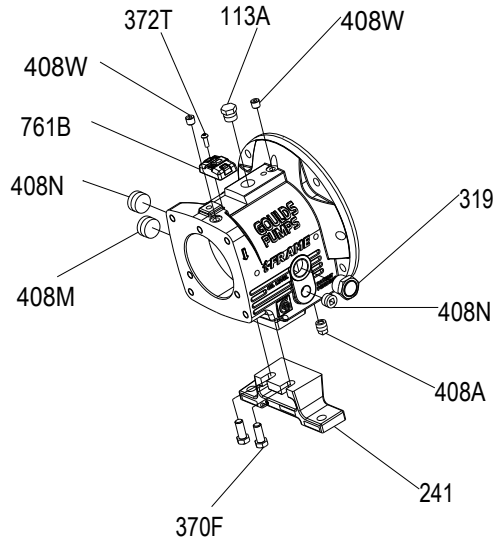
10. Remove the outboard labyrinth oil seal (332A) from the bearing housing (134).
11. Remove the O-rings (497F and 497G) if it is necessary.  
Labyrinth oil-seal O-rings are part of the 3196 maintenance kits, and they are sold separately.



## Disassemble the bearing frame

1. Remove these plugs from the bearing frame (228A).

- oil-fill plug (113A)
  - oil-drain plug (408A)
  - sight-oiler plug (408J)
  - four oil mist/grease connection plugs (408H)
  - oil-cooler inlet and outlet plugs (408L and 408M) or oil cooler
2. For the MTi and LTi models, remove the bearing frame foot-to-frame bolts (370F) and the frame foot (241).



## Guidelines for i-ALERT™ Condition Monitor disposal

### Precautions



#### WARNING:

- Never heat the condition monitor to temperatures in excess of 300°F (149°C). Heating to these temperatures could result in death or serious injury.
- Never dispose of the condition monitor in a fire. This could result in death or serious injury.

### Guidelines

The battery contained in the condition monitor does not contain enough lithium to qualify as reactive hazardous waste. Use these guidelines when disposing of the condition monitor.

- The condition monitor is safe for disposal in the normal municipal waste stream.
- Adhere to local laws when you dispose of the condition monitor.

## Disassemble the C-face adapter

**NOTICE:** You must properly support the motor with a clean, uncorroded eye bolt or a strap under both end bells. Failure to do so may result in equipment damage.

1. Loosen the motor-mounting bolts and remove the motor.

This table shows the number of motor-mounting bolts.

**Table 11: Required number of motor-mounting bolts**

Pump frame	Motor frame	Number of bolts
STi	All	4
MTi and LTi	143-286	4
	324-365	8

2. Loosen the bolts attached to the bearing-frame flange and remove the C-face adapter from the bearing frame.

## Pre-assembly inspections

### Guidelines

Before you assemble the pump parts, make sure you follow these guidelines:

- Inspect the pump parts according to the information in these pre-assembly topics before you reassemble your pump. Replace any part that does not meet the required criteria.
- Make sure that the parts are clean. Clean the pump parts in solvent in order to remove oil, grease, and dirt.

---

**NOTICE:** Protect machined surfaces while you clean the parts. Failure to do so may result in equipment damage.

---

## Replacement guidelines

### Casing check and replacement

Inspect the casing for cracks and excessive wear or pitting. Thoroughly clean gasket surfaces and alignment fits in order to remove rust and debris.

Repair or replace the casing if you notice any of these conditions:

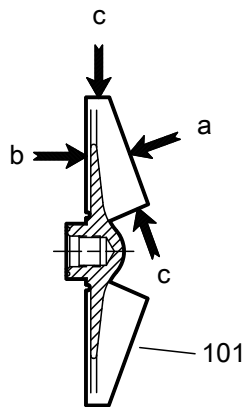
- Localized wear or grooving that is greater than 1/8 in. (3.2 mm) deep
- Pitting that is greater than 1/8 in. (3.2 mm) deep
- Irregularities in the casing-gasket seat surface

### Impeller replacement

This table shows the criteria for replacing the impeller:

Impeller parts	When to replace
Impeller vanes	<ul style="list-style-type: none"> <li>• When grooved deeper than 1/16 in. (1.6 mm), or</li> <li>• When worn evenly more than 1/32 in. (0.8 mm)</li> </ul>
Pumpout vanes	When worn or bent more than 1/32 in. (0.8 mm)
Vane edges	When you see cracks, pitting, or corrosion damage

### Impeller areas to inspect



**Figure 18: Areas to inspect for wear on the 3196 impeller.**

### Frame adapter check and replacement

- Replace the frame adapter if it has cracks or excessive corrosion damage.
- Make sure the gasket surface is clean.



### Gaskets, O-rings, and seats replacement

- Replace all gaskets and O-rings at each overhaul and disassembly.
- Inspect the seats. They must be smooth and free of physical defects.  
In order to repair worn seats, skin cut them in a lathe while you maintain dimensional relationships with other surfaces.
- Replace parts if the seats are defective.

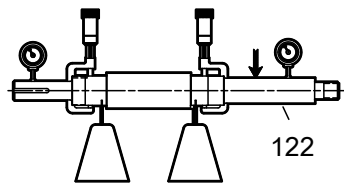
## Shaft and sleeve replacement guidelines

### Two types of sleeves

The 3198 is offered with either a metallic sleeve that uses the standard 3196 shaft or a Teflon sleeve. The Teflon sleeve requires a special shaft and a different inboard labyrinth oil seal.

### Shaft measurements check

Replace the shaft (122) if any measurements exceed acceptable values. See Bearing fits and tolerances.



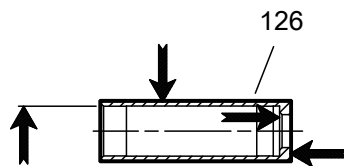
### Straightness check

Replace the shaft (122) if runout exceeds the values in this table:

**Table 12: Shaft runout tolerances for sleeve fit and coupling fit**

	Sleeve fit in inches (millimeters)	Coupling fit in inches (millimeters)
With sleeve	0.001 (0.025)	0.001 (0.025)
Without sleeve	0.002 (0.051)	0.001 (0.025)

### Shaft and sleeve check



- Check the shaft and sleeve (126) surface for grooves and pitting.
- Replace the shaft and sleeve if any grooves or pits are found.

## Bearing-frame inspection

### Checklist

Check the bearing frame for these conditions:

- Visually inspect the bearing frame and frame foot for cracks.
- Check the inside surfaces of the frame for rust, scale, or debris. Remove all loose and foreign material.
- Make sure that all lubrication passages are clear.
- If the frame has been exposed to pumped fluid, inspect the frame for corrosion or pitting.
- Inspect the inboard-bearing bores.

If any bores are outside the measurements in the Bearing fits and tolerances table, replace the bearing frame.

Surface inspection locations

This figure shows the areas to inspect for wear on the bearing frame outside surface.

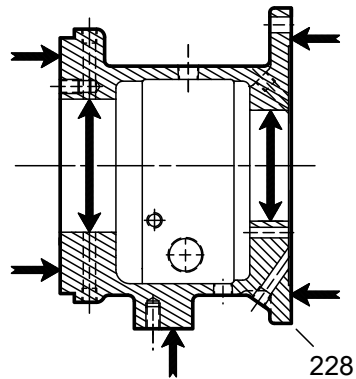


Figure 19: Outside surface inspection locations

This figure shows the areas to inspect for wear on the bearing frame inside surface.

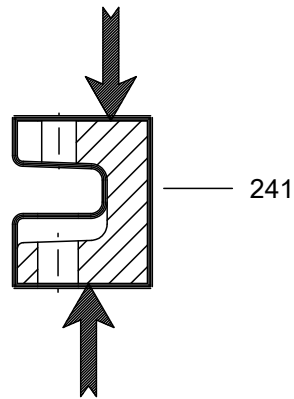


Figure 20: Inside surface inspection locations

### C-face adapter inspection

Checklist

- Visually inspect the C-face adapter (340) for cracks.
- Check all surfaces for rust, scale, or debris and remove all loose and foreign material.
- Check for corrosion or pitting.

This figure shows the areas to inspect for cracks on the C-face adapter.

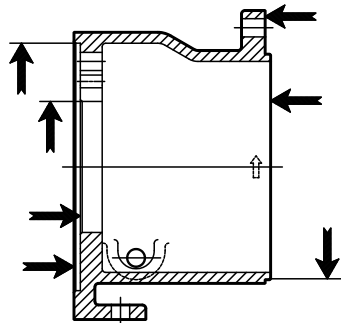


Figure 21: C-face adapter inspection locations

## Seal chamber and stuffing box cover inspection

### Checklist

Perform these checks when you inspect the seal chamber and stuffing box cover:

- Make sure that these surfaces are clean:
  - Seal chamber and stuffing box cover
  - Mounting
- Make sure there is no pitting or wear greater than 1/8 in. (3.2 mm) deep.  
Replace the seal chamber and stuffing box cover if pitting or wear exceeds this measurement.
- Inspect the machined surfaces and mating faces noted in the figures.

These images point to the areas to inspect on the seal chambers, stuffing box covers, and backplates:

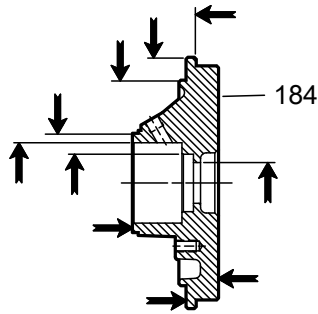


Figure 22: BigBore™ chamber

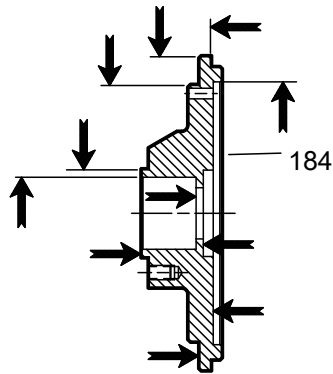


Figure 23: Stuffing box cover

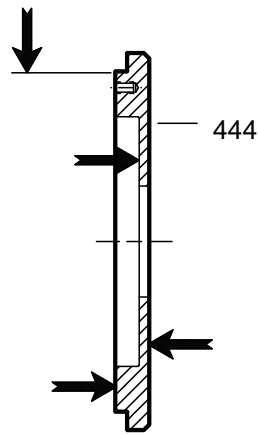


Figure 24: Dynamic-seal backplate

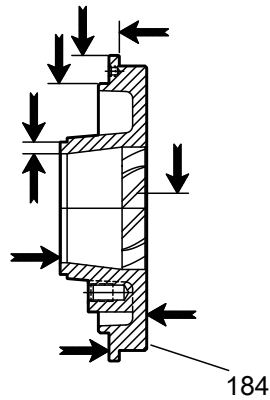


Figure 25: TaperBore™ Plus

## Bearings inspection

### Condition of bearings

Do not reuse bearings. The condition of the bearings provides useful information on operating conditions in the bearing frame.

### Checklist

Perform these checks when you inspect the bearings:

- Inspect the bearings for contamination and damage.
- Note any lubricant condition and residue.
- Inspect the ball bearings to see if they are loose, rough, or noisy when you rotate them.
- Investigate any bearing damage to determine the cause. If the cause is not normal wear, correct the issue before you return the pump to service.

# Bearing-housing inspection

## Checklist

- Inspect the bearing-housing (134) bore according to the bearing fits and tolerances table.
- Replace the bearing housing if the dimensions exceed acceptable values. Reference: see Bearings fits and tolerances.
- Visually inspect the bearing housing for cracks and pits.

## Checklist for specific models

This table shows bearing-housing checks that are required for specific models of pump.

Frame	Bearing-housing check
STi and MTi	Ensure that the snap-ring groove is not cracked.
LTi	Clear all grooves and holes.

## Inspection locations

The following images point to the areas to inspect on the bearing housing.

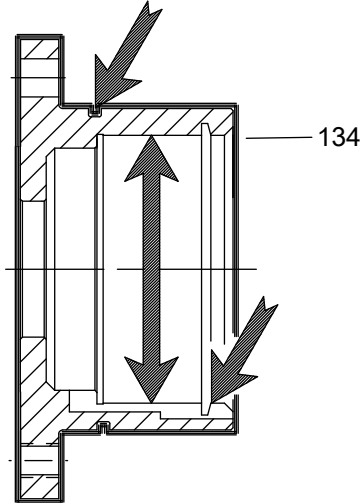


Figure 26: STi and MTi bearing housing

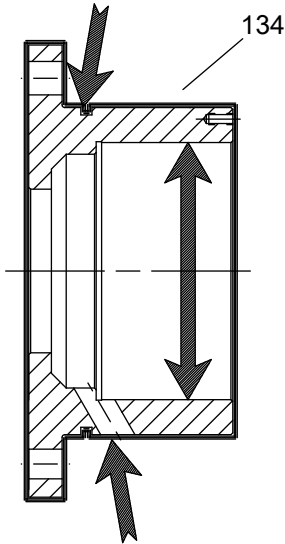


Figure 27: LTi bearing housing

## Bearing fits and tolerances

This table references the bearing fits and tolerances according to the ABEC I standard.

**Table 13: Bearing fits and tolerances table**

	STi inches (millimeters)	MTi inches (millimeters)	LTi inches (millimeters)	XLT-i, i-17 inches (millimeters)
Shaft OD	1.3785 (35.014)	1.7722 (45.014)	2.1660 (55.016)	2.5597 (65.016)
Inboard	1.3781 (35.004)	1.7718 (45.004)	2.1655 (55.004)	2.5592 (65.004)
Clearance	0.0010 (0.025) tight 0.0001 (0.003) tight	0.0010 (0.025) tight 0.0001 (0.003) tight	0.0012 (0.030) tight 0.0001 (0.003) tight	0.0012 (0.030) tight 0.0001 (0.003) tight
Bearing ID	1.3780 (35.001)	1.7717 (45.001)	2.1654 (55.001)	2.5591 (65.001)
Inboard	1.3775 (34.989)	1.7712 (44.988)	2.1648 (54.986)	2.5585 (64.986)
Frame ID	2.8346 (72.000)	3.9370 (100.000)	4.7244 (120.000)	5.5118 (140.000)
Inboard	2.8353 (72.017)	3.9379 (100.023)	4.7253 (120.023)	5.5128 (140.025)
Clearance	0.0012 (0.031) loose 0.0000 (0.000) loose	0.0015 (0.038) loose 0.0000 (0.000) loose	0.0015 (0.038) loose 0.0000 (0.000) loose	0.0017 (0.043) loose 0.0000 (0.000) loose
Bearing OD	2.8346 (72.000)	3.9370 (100.000)	4.7244 (120.000)	5.5118 (140.000)
Inboard	2.8341 (71.986)	3.9364 (99.985)	4.7238 (119.985)	5.5111 (139.982)
Shaft OD	1.1815 (30.010)	1.7722 (45.014)	1.9690 (50.013)	2.5597 (65.016)
Outboard	1.1812 (30.002)	1.7718 (45.004)	1.9686 (50.003)	2.5592 (65.004)
Clearance	0.0008 (0.020) tight 0.0001 (0.003) tight	0.0010 (0.025) tight 0.0001 (0.003) tight	0.0010 (0.025) tight 0.0001 (0.003) tight	0.0012 (0.030) tight 0.0001 (0.003) tight
Bearing OD	1.1811 (30.000)	1.7717 (45.001)	1.9685 (50.000)	2.5591 (65.001)
Outboard	1.1807 (29.990)	1.7712 (44.988)	1.9680 (49.987)	2.5585 (64.986)
Housing OD	2.8346 (72.000)	3.9370 (100.000)	4.3307 (110.000)	5.5118 (140.000)
Outboard	2.8353 (72.017)	3.9379 (100.022)	4.3316 (110.023)	5.5128 (140.025)
Clearance	0.0012 (0.031) loose 0.0000 (0.000) loose	0.0015 (0.038) loose 0.0000 (0.000) loose	0.0015 (0.038) loose 0.0000 (0.000) loose	0.0017 (0.043) loose 0.0000 (0.000) loose
Bearing OD	2.8346 (72.000)	3.9370 (100.000)	4.3307 (110.000)	5.5118 (140.000)
Outboard	2.8341 (71.986)	3.9364 (99.985)	4.3301 (109.985)	5.5111 (139.982)

## Reassembly

### Assemble the rotating element and the bearing frame ( STi and MTi )



**CAUTION:**

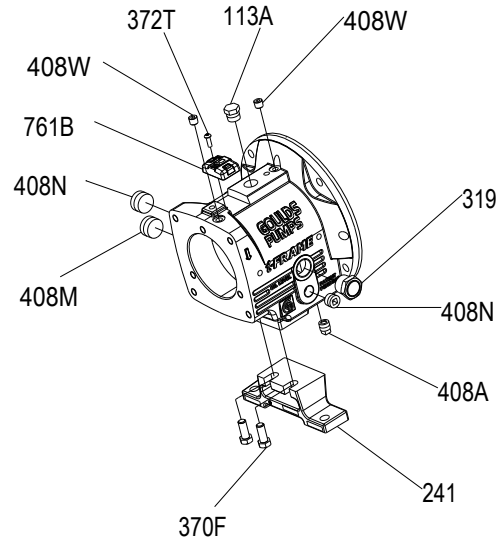
Wear insulated gloves when you use a bearing heater. Bearings get hot and can cause physical injury.

**NOTICE:** Make sure that the pipe threads are clean, and that you apply thread sealant to the plugs and fittings. Failure to do so may result in equipment damage or decreased performance.

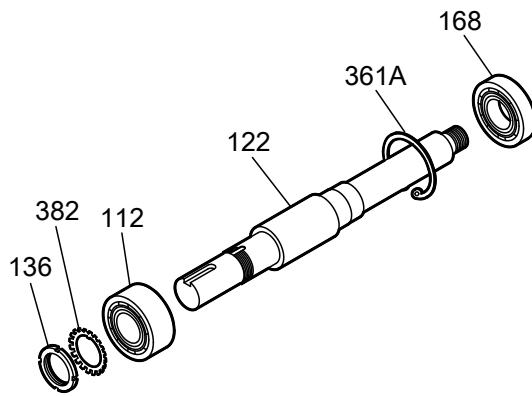
**NOTICE:** Use an induction heater that heats as well as demagnetizes the bearings when you install bearings. Failure to do so may result in decreased performance.

1. Prepare the bearing frame (228) as follows (see the illustration):
  - a) Install the oil-fill plug (113A).
  - b) Install the oil-drain plug (408A).
  - c) Install the sight glass (319).

- d) Install the sight oiler plug (408J).
- e) Install the plug for the oil-cooler inlet (408L).
- f) Install the plug for the oil-cooler outlet (408M).
- g) Install four oil-mist connection plugs (408H).  
Or: Install two grease fittings (193) and two grease-relief plugs (113).
- h) Attach the bearing-frame foot (241) and fasten the bolts (370F) by hand.



2. Install the outboard bearing (112A) on the shaft (122).  
The regreaseable bearing has a single shield. The outboard bearing is installed with the shield toward the impeller.
  - a) Inspect the shaft (122) to ensure that it is clean, dimensionally correct, and is free of nicks and burrs.
  - b) Lightly coat the bearing seating with a thin film of oil.
  - c) Remove the bearing (112) from its packaging.
  - d) Wipe the preservative from the bearing (112) bore and outer diameter.
  - e) Use an induction heater with a demagnetizing cycle to heat the bearing (112) to an inner ring temperature of 230 °F (110 °C).
  - f) Position the bearing (112) on the shaft (122) against the shoulder and snug the locknut (136) against the bearing until it is cool.  
The locknut prevents the bearing from moving away from the shaft shoulder as it cools.
  - g) Remove the bearing locknut (136) after the bearing (112) cools.
3. Put the lockwasher (382) onto the shaft (122).
4. Thread the locknut (136) onto the shaft (122) and tighten it until it is snug.
5. Bend the tangs of the lockwasher into the slots of the locknut.
6. Put the bearing-retaining ring (361A) onto the shaft (122).  
Make sure that the flat side of the ring is towards the bearing.
7. Coat the inner surfaces of the bearings with lubricant.
8. Put the inboard bearing (168) onto the shaft (122).  
The regreaseable bearing has a single shield. Make sure that the bearing is installed with the shield away from the impeller.



9. Prepare the shaft for assembly as follows (see the illustration):
  - a) Install a new O-ring (496).
  - b) Coat the outside of the outboard bearing (112A) with oil.
  - c) Coat the bore of the bearing housing (134) with oil.
  - d) Put the bearing housing (134) onto the shaft.  
Do not use force.
  - e) Insert the bearing-retaining ring (361A) into the bore groove of the bearing housing (134).

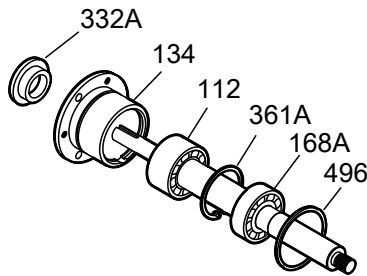
---

**NOTICE:** Ensure that the space between the ends of the retaining ring are located in the oil-return groove. Failure to do so may result in oil-flow obstruction.

---

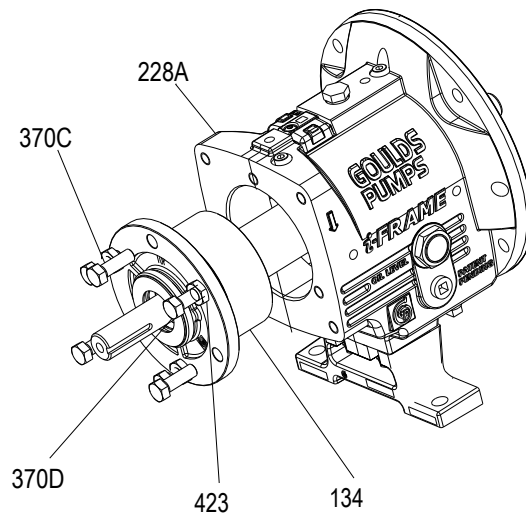
Make sure that the shaft rotates freely.

- f) Install the outboard labyrinth oil-seal (332A) into the bearing housing (134).  
Place the drain slots of the oil seal at the bottom position (6 o'clock).  
Make sure that the edges of the keyway are free from burrs. To protect the O-ring, cover the keyway lengthwise with a piece of electrical tape before you install the oil seal.



10. Install the shaft assembly into the bearing frame as follows (see the illustration):
  - a) Coat the outside of the bearing housing (134) with oil.
  - b) Coat all the internal surfaces of the bearing frame (228) with oil.
  - c) Install the shaft assembly into the bearing frame (228).  
Make sure that the shaft rotates freely.
  - d) Install the clamp bolts (370C) in the bearing housing (134) and tighten by hand.
  - e) Install the jack bolts (370D) with the locknuts (423) in the bearing housing (134) and tighten by hand.





## Assemble the rotating element and the bearing frame ( STi and MTi with duplex bearings)



### CAUTION:

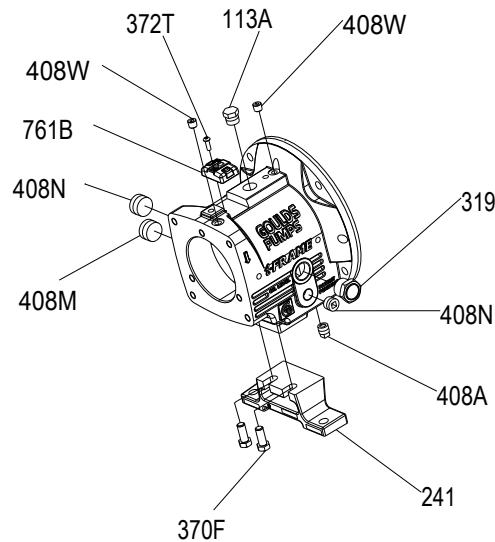
- Wear insulated gloves when you use a bearing heater. Bearings get hot and can cause physical injury.
- Use care when you handle the shaft because it can be heavy. Failure to do so could result in personal injury.

**NOTICE:** Make sure that the pipe threads are clean, and that you apply thread sealant to the plugs and fittings. Failure to do so may result in equipment damage or decreased performance.

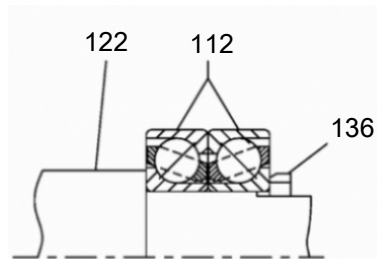
**NOTICE:** Use an induction heater that heats as well as demagnetizes the bearings when you install bearings. Failure to do so may result in decreased performance.

1. Prepare the bearing frame (228) as follows (see the illustration):
  - a) Install the oil-fill plug (113A).
  - b) Install the oil-drain plug (408A).
  - c) Install the sight glass (319).
  - d) Install the sight oiler plug (408J).
  - e) Install the plug for the oil-cooler inlet (408L).
  - f) Install the plug for the oil-cooler outlet (408M).
  - g) Install four oil-mist connection plugs (408H).
 

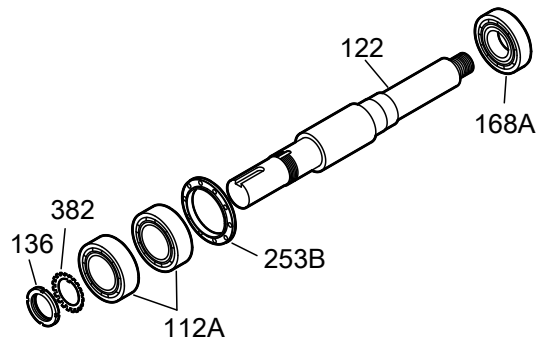
Or: Install two grease fittings (193) and two grease-relief plugs (113).
  - h) Attach the bearing-frame foot (241) and fasten the bolts (370F) by hand.



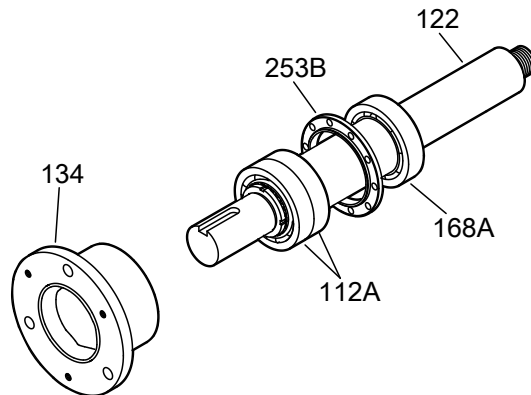
2. Install the outboard bearings (112A) on the shaft (122).  
 The regreasable bearing has a single shield. Make sure that the bearing is installed with the shield away from the impeller.  
 The duplex bearings are mounted back-to-back. Make sure that the orientation of the bearings are correct.
  - a) Inspect the shaft (122) to ensure that it is clean, dimensionally correct, and is free of nicks and burrs.



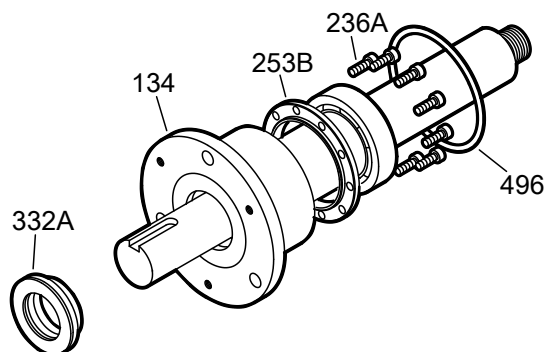
- b) Lightly coat the bearing seating with a thin film of oil.
  - c) Remove the bearings (112) from their packaging.
  - d) Wipe the preservative from the bearing (112) bore and outer diameter.
  - e) Use an induction heater with a demagnetizing cycle to heat both bearings (112) to an inner ring temperature of 230 °F (110 °C).
  - f) Place both bearings (112) on the shaft (122) with the large outer races together (back-to-back).
  - g) Position the bearings (112) on the shaft (122) against the shoulder and snug the locknut (136) against the bearings until they are cool.  
 The locknut prevents the bearings from moving away from the shaft shoulder as they cool. Rotate the outer bearing rings relative to each other as they are placed on the shaft to assure good alignment.
  - h) Remove the bearing locknut (136) after the bearings (112) are cool.
3. Put the lockwasher (382) onto the shaft (122).
4. Thread the locknut (136) onto the shaft (122) and tighten it until it is snug.
5. Bend the tangs of the lockwasher into the slots of the locknut.
6. Place the bearing-clamp ring (253B) onto the shaft (122).  
 Make sure that the orientation of the bearing-clamp ring is correct.
7. Coat the inner surfaces of the bearings with lubricant.
8. Put the inboard bearing (168) onto the shaft (122).



9. Install the bearing housing as follows (see the illustration):
- Coat the outside of the outboard bearing (112A) with oil.
  - Coat the bore of the bearing housing (134) with oil.
  - Put the bearing housing (134) onto the shaft.
- Do not use force.



10. Prepare the shaft for assembly as follows (see the illustration):
- Place the bearing-clamp ring (253B) onto the shaft (122).
  - Fasten the clamp-ring bolts (236A) crosswise.  
See the specified torque values.  
Make sure that the shaft rotates freely.
  - Install a new O-ring (496).
  - Install the outboard labyrinth oil-seal (332A) into the bearing housing (134).  
Place the drain slots of the oil seal at the bottom position (6 o'clock).  
Make sure that the edges of the keyway are free from burrs. To protect the O-ring, cover the keyway lengthwise with a piece of electrical tape before you install the oil seal.



11. Install the shaft assembly into the bearing frame as follows (see the illustration):

- a) Coat the outside of the bearing housing (134) with oil.
- b) Coat all the internal surfaces of the bearing frame (228) with oil.
- c) Install the shaft assembly into the bearing frame (228).  
Make sure that the shaft rotates freely.
- d) Install the clamp bolts (370C) in the bearing housing (134) and tighten by hand.
- e) Install the jack bolts (370D) with the locknuts (423) in the bearing housing (134) and tighten by hand.

## Assemble the rotating element and the bearing frame ( LTi )



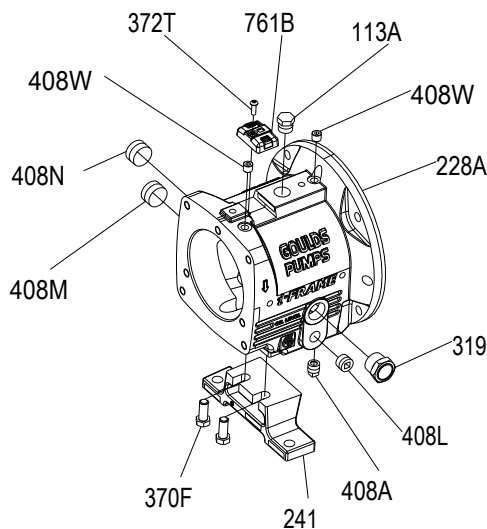
**CAUTION:**

Wear insulated gloves when you use a bearing heater. Bearings get hot and can cause physical injury.

**NOTICE:** Make sure that the pipe threads are clean, and that you apply thread sealant to the plugs and fittings. Failure to do so may result in equipment damage or decreased performance.

**NOTICE:** Use an induction heater that heats as well as demagnetizes the bearings when you install bearings. Failure to do so may result in decreased performance.

1. Prepare the bearing frame (228) as follows (see the illustration):
  - a) Install the oil-fill plug (113A).
  - b) Install the oil-drain plug (408A).
  - c) Install the sight glass (319).
  - d) Install the sight oiler plug (408J).
  - e) Install the plug for the oil-cooler inlet (408L).
  - f) Install the plug for the oil-cooler outlet (408M).
  - g) Install four oil-mist connection plugs (408H).  
Or: Install two grease fittings (193) and two grease-relief plugs (113).
  - h) Attach the bearing-frame foot (241) and fasten the bolts (370F) by hand.



2. Install the oil flinger (248A) onto the shaft (122).

**NOTICE:** The oil flinger is press fitted onto the shaft. Use a properly sized driver. Failure to do so may result in damage to the oil flinger.

3. Place the bearing-clamp ring (253B) onto the shaft (122).

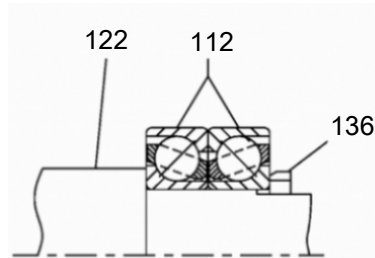
Make sure that the orientation of the bearing-clamp ring is correct.

4. Install outboard bearings (112A) on shaft (122).

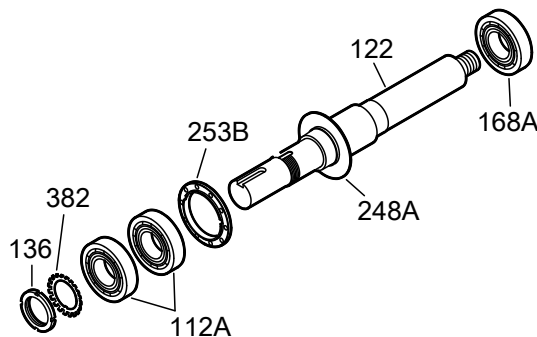
The regreasable bearing has a single shield. Make sure that the bearing is installed with the shield away from the impeller.

The duplex bearings are mounted back-to-back. Make sure that the orientation of the bearings are correct.

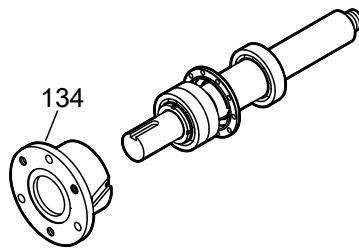
- a) Inspect the shaft (122) to ensure that it is clean, dimensionally correct, and is free of nicks and burrs.



- b) Lightly coat the bearing seating with a thin film of oil.
  - c) Remove the bearings (112) from their packaging.
  - d) Wipe the preservative from the bearing (112) bore and outer diameter.
  - e) Use an induction heater with a demagnetizing cycle to heat both bearings (112) to an inner ring temperature of 230 °F (110 °C).
  - f) Place both bearings (112) on the shaft (122) with the large outer races together (back-to-back).
  - g) Position the bearings (112) on the shaft (122) against the shoulder and snug the locknut (136) against the bearings until they are cool.  
The locknut prevents the bearings from moving away from the shaft shoulder as they cool. Rotate the outer bearing rings relative to each other as they are placed on the shaft to assure good alignment.
  - h) Remove the bearing locknut (136) after the bearings (112) are cool.
5. Put the lockwasher (382) onto the shaft (122).
  6. Thread the locknut (136) onto the shaft (122) and tighten it until it is snug.
  7. Bend the tangs of the lockwasher into the slots of the locknut.
  8. Coat the inner surfaces of the bearings with lubricant.
  9. Put the inboard bearing (168) onto the shaft (122).

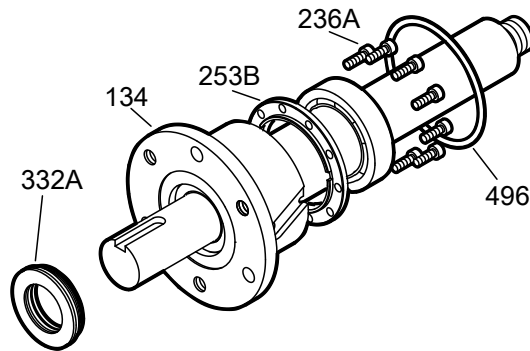


10. Install the bearing housing as follows (see the illustration):
  - a) Coat the outside of the outboard bearing (112A) with oil.
  - b) Coat the bore of the bearing housing (134) with oil.
  - c) Put the bearing housing (134) onto the shaft.  
Do not use force.



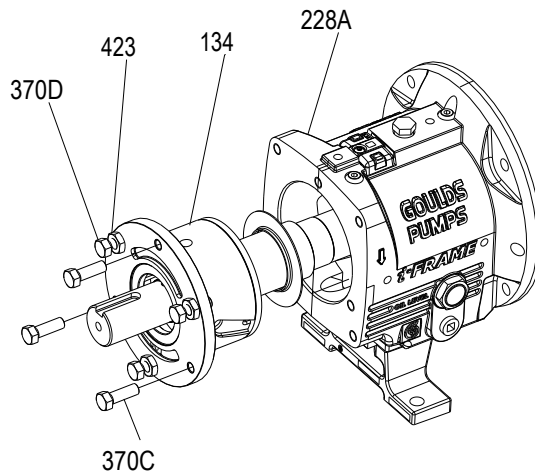
11. Prepare the shaft for assembly as follows (see the illustration):

- a) Fasten the clamp-ring bolts (236A) crosswise.  
See the specified torque values.  
Make sure that the shaft rotates freely.
- b) Install a new O-ring (496).
- c) Install the outboard labyrinth oil-seal (332A) into the bearing housing (134).  
Place the drain slots of the oil seal at the bottom position (6 o'clock).  
Make sure that the edges of the keyway are free from burrs. To protect the O-ring, cover the keyway lengthwise with a piece of electrical tape before you install the oil seal.



12. Install the shaft assembly into the bearing frame as follows (see the illustration):

- a) Coat the outside of the bearing housing (134) with oil.
- b) Coat all the internal surfaces of the bearing frame (228) with oil.
- c) Install the shaft assembly into the bearing frame (228).  
Make sure that the shaft rotates freely.
- d) Install the clamp bolts (370C) in the bearing housing (134) and tighten by hand.
- e) Install the jack bolts (370D) with the locknuts (423) in the bearing housing (134) and tighten by hand.



## Assemble the frame

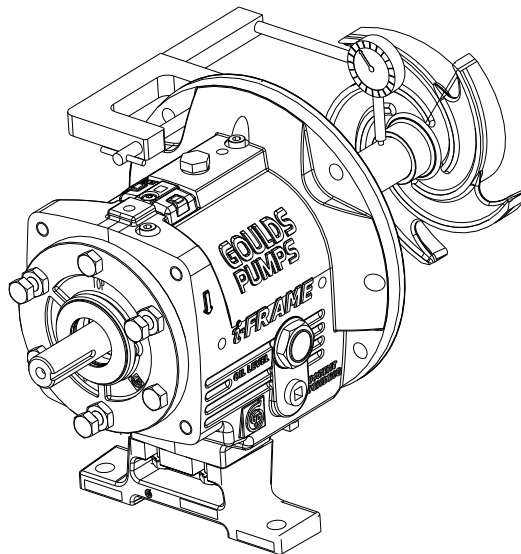
1. Support the frame assembly in a horizontal position.
2. Check the shaft-end play by moving the shaft forward and backward by hand, and note any indicator movement.

If the total indicator reading is greater than the values in this table, then disassemble the shaft and determine the cause.

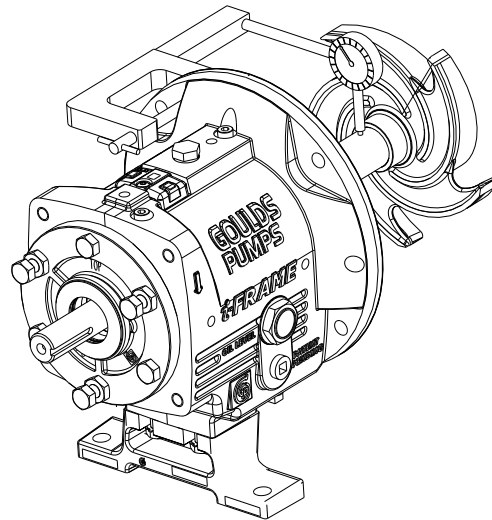
Use this table as a reference for shaft-end play values.

**Table 14: Shaft-end play**

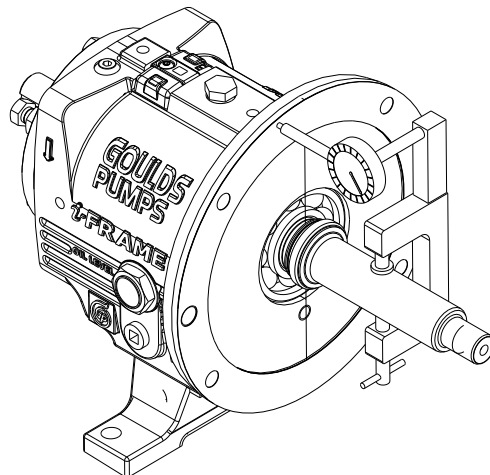
Frame	Double row bearing	Duplex bearing
STi inches (millimeters)	0.0011 (0.028) 0.0019 (0.048)	0.0007 (0.018) 0.0010 (0.025)
MTi inches (millimeters)	0.0013 (0.033) 0.0021 (0.053)	0.0009 (0.023) 0.0012 (0.030)
LTi inches (millimeters)	Not applicable	0.0010 (0.025) 0.0015 (0.038)



3. Check the shaft-sleeve (126) runout.
  - a) Install the shaft sleeve.
  - b) Thread the impeller on the shaft until hand tight.
  - c) Rotate the shaft 360°.
  - d) If the total indicator reading is greater than 0.002 in. (0.051 mm), then disassemble the shaft sleeve and determine the cause.
  - e) Remove the impeller and shaft sleeve.

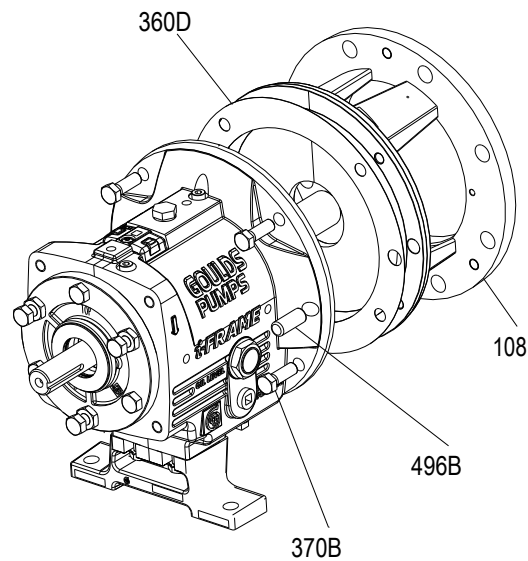


4. Check the frame-face runout by rotating the shaft so that the indicator measures the fit for 360°. If the total indicator reading is greater than 0.001 in. (0.025 mm), then disassemble and determine the cause.

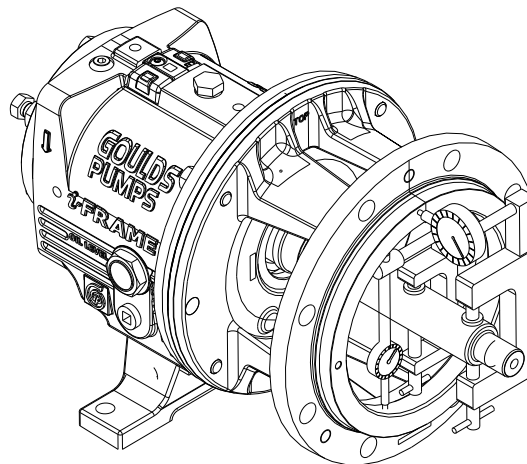


5. Place the manila gasket (360D) on the frame (228), and hold the gasket in place by inserting the dowel pins (469B) in their holes.  
The gasket is designed to fit only one way.
6. Install the frame adapter.
  - a) Place the frame adapter (108) onto the frame assembly.
  - b) Align the bolt holes and dowel locations on the frame adapter with the bolt holes and dowel locations on the frame.

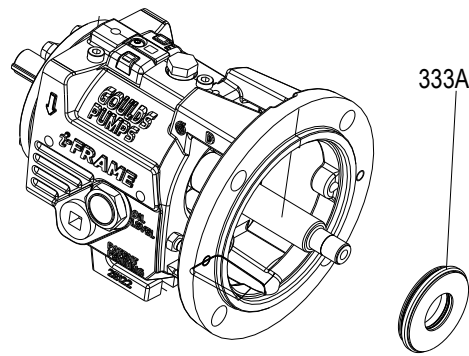




- c) Install the dowel pins (469B) and bolts (370B). Tighten the bolts in a criss-cross pattern according to the specifications in the bolt torque values table.
- d) Rotate the shaft 360° to check the adapter fit.  
If the total indicator reading is greater than 0.005 in. (0.13 mm), then determine the cause and correct it before you proceed.



7. Install the labyrinth oil-seal (333A) into the adapter (108) and the bearing frame (228).  
The labyrinth oil seal is an O-ring fit.
8. Position the labyrinth oil-seal drain slots at the bottom (6 o'clock) position.  
Refer to Assemble the INPRO labyrinth oil-seal for more information on the labyrinth oil-seal installation.

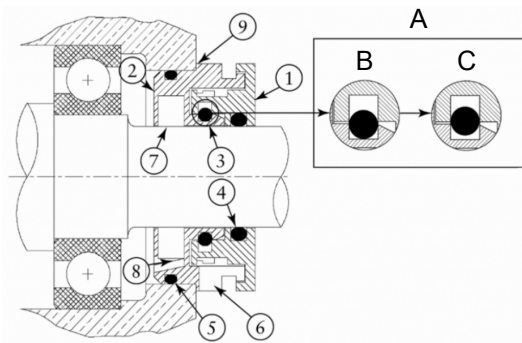


## INPRO labyrinth oil seal description

### Description

The INPRO VBXX-D Labyrinth Oil Seal consists of the rotor (1), the stator (2), and the VBX Ring (3). The rotor (1) fits over the shaft and is held in place by an elastomeric drive ring (4). The drive ring causes the rotor to turn with the shaft and provides a positive, static seal against the shaft. Since there is no metal-to-metal contact, there are no friction or wear concerns.

**NOTICE:** The INPRO VBX is a one-piece design. Do not attempt to separate the rotor from the stator before or during installation. Doing so may result in equipment damage.



A	"VBX" O-ring action
B	Static
C	Dynamic
1	Rotor
2	Stator
3	"VBX" ring
4	Rotor drive ring
5	Stator gasket
6	Expulsion port
7	D groove
8	Lube return
9	Location shoulder

## Assemble the INPRO labyrinth oil seal

1. Wrap electrical tape around the coupling end of the shaft to cover the keyway.

**NOTICE:** The edges of the keyway can be sharp. Make sure to cover the keyway with tape. Failure to do so may result in cutting the O-ring and damaging the seal.

2. Lightly lube the shaft and the drive ring (4) with lubricant.  
Lubricant helps in the installation process. Be sure that the lubricant is compatible with the O-ring material and the pump-system standards.
3. Use an arbor press to install the outboard INPRO VBXX-D into the bearing cover with the expulsion port (6) at the 6 o'clock position.  
Press the outboard INPRO VBXX-D down to where the stator location ramp (9) starts to avoid angular misalignment. There is a nominal 0.002 in. (0.051 mm) interference fit.
4. Discard any residual material from the stator gasket (5).
5. Complete the applicable step in this table depending on the model of your pump.

Pump model	Action
STi	Press the inboard seal along the shaft into the bearing frame.
All other models	After you install the frame adapter on the bearing frame, press the inboard seal over the shaft and into the adapter.

## Assemble the C-face adapter

1. Mount the pump and the motor-coupling hubs if they are not already mounted.
2. Slide the C-face adapter over the pump shaft and mount it against the bearing-frame flange using four bolts.
3. Mount the motor to the C-face adapter using either four or eight motor bolts.

This table contains the motor-bolt torque values for assembling the C-face adapter to a frame.

**Table 15: Motor-bolt torque values for C-face adapter to frame**

Frame	Lubricated threads	Dry threads
STi	20 ft-lb (27 Nm)	30 ft-lb (41 Nm)
MTi	20 ft-lb (27 Nm)	30 ft-lb (41 Nm)
LTi	20 ft-lb (27 Nm)	30 ft-lb (41 Nm)

This table contains the motor-bolt torque values for assembling the C-face adapter to a motor.

**Table 16: Motor-bolt torque values for C-face adapter to motor**

Frame	Lubricated threads	Dry threads
143TC-145TC	8 ft-lb (11 Nm)	12 ft-lb (16 Nm)
182TC-286TC	20 ft-lb (27 Nm)	30 ft-lb (41 Nm)
324TC-365TC	39 ft-lb (53 Nm)	59 ft-lb (80 Nm)

## Shaft sealing



### WARNING:

The mechanical seal used in an Ex-classified environment must be properly certified. Prior to startup, make sure that all areas that could leak pumped fluid to the work environment are closed.

### Methods for sealing the shaft

These sections discuss the methods that you can use to seal the shaft.

- Seal the shaft with a dynamic seal.
- Seal the shaft with a cartridge-mechanical seal.
- Seal the shaft with a conventional inside-component mechanical seal.
- Seal the shaft with a conventional outside-component mechanical seal.
- Seal the shaft with a packed stuffing box.

---

## Seal the shaft with a packed stuffing box

---



**WARNING:**

Packed stuffing boxes are not allowed in an ATEX-classified environment.

---

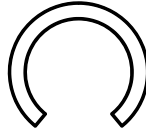
Pumps are shipped without the packing, lantern ring, or split gland installed. These parts are included with the box of fittings shipped with each pump and must be installed before startup.

1. Carefully clean the stuffing-box bore.
2. Twist the packing enough to get it around the shaft.

### Packing Rings



Correct

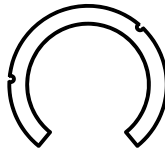


Incorrect

### Lantern Rings



Correct



Incorrect

3. Insert the packing and stagger the joints in each ring by 90°. Install the stuffing-box parts in this order:
  - a) Two packing rings
  - b) One lantern ring (two-piece)
  - c) Three packing rings

---

**NOTICE:**

Make sure that the lantern ring is located at the flushing connection to ensure that flush is obtained. Failure to do so may result in decreased performance.

---

4. Install the gland halves and evenly hand-tighten the nuts.

---

## Seal the shaft with a cartridge mechanical seal

---



**WARNING:**

The mechanical seal used in an Ex-classified environment must be properly certified. Prior to startup, make sure that all areas that could leak pumped fluid to the work environment are closed.

---

**NOTICE:**

The mechanical seal must have an appropriate seal-flush system. Otherwise, excess heat generation and seal failure can occur.

---

1. Slide the cartridge seal onto the shaft or sleeve until it contacts the inboard labyrinth oil seal.
2. Assemble the seal chamber.
3. Slide the cartridge seal into the seal chamber and secure using the four studs and nuts.
4. Continue with the pump reassembly.
5. Set the impeller clearance.

Refer to the Impeller clearance setting topic for more information.

6. Tighten the setscrews in the seal locking ring in order to secure the seal to the shaft.
7. Remove the centering clips from the seal.

## Seal the shaft with a conventional inside-component mechanical seal



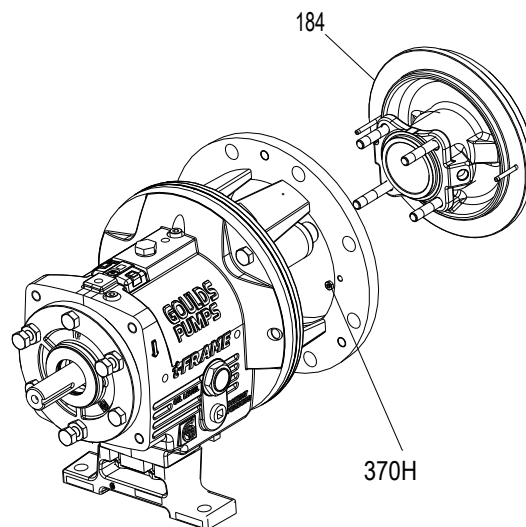
### WARNING:

The mechanical seal used in an Ex-classified environment must be properly certified. Prior to startup, make sure that all areas that could leak pumped fluid to the work environment are closed.

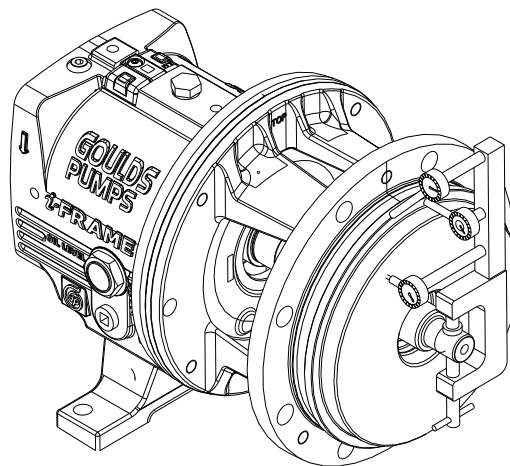
### NOTICE:

The mechanical seal must have an appropriate seal-flush system. Otherwise, excess heat generation and seal failure can occur.

1. Assemble the seal chamber:
  - a) Install a seal-chamber cover or a backplate (184) and fasten with nuts (370H).

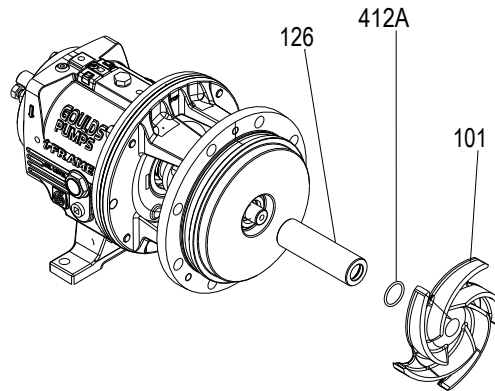


- b) Check the seal-chamber cover runout.



Rotate the indicator through 360°. If the total indicator reading is greater than 0.005 inches (0.13 mm), determine the cause and correct the issue before you proceed.

- c) Install the shaft sleeve (126).



2. Mark the shaft and sleeve at the face of the seal chamber.
3. Continue the complete reassembly of the pump, except for the mechanical seal.
4. Set the impeller clearance.  
Refer to the Impeller Clearance Setting section for more information.
5. Scribe a line on the marked shaft and sleeve at the face of the seal chamber.
6. Remove the casing, the impeller, and the seal chamber.
7. Slide the gland, with the stationary seat and gland gasket installed, onto the shaft until it contacts the inboard labyrinth oil seal.
8. Install the mechanical-seal rotary unit according to the manufacturer's instructions.  
Use the scribed line and the seal-reference dimension.
9. Reinstall the seal chamber.
10. Slide the gland on the seal-chamber studs and secure them with the gland nuts.  
Tighten the nuts evenly so that the gland is seated on the seal-chamber pilot and is perpendicular to the shaft.
11. Complete the reassembly of the pump.

### Seal the shaft with a conventional outside-component mechanical seal




---

**WARNING:**

The mechanical seal used in an Ex-classified environment must be properly certified. Prior to startup, make sure that all areas that could leak pumped fluid to the work environment are closed.

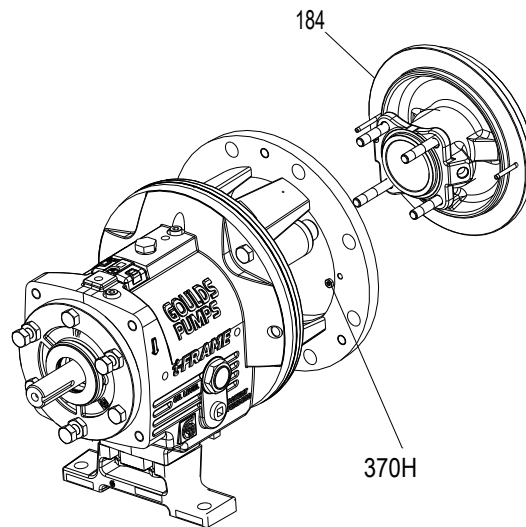
---

**NOTICE:**

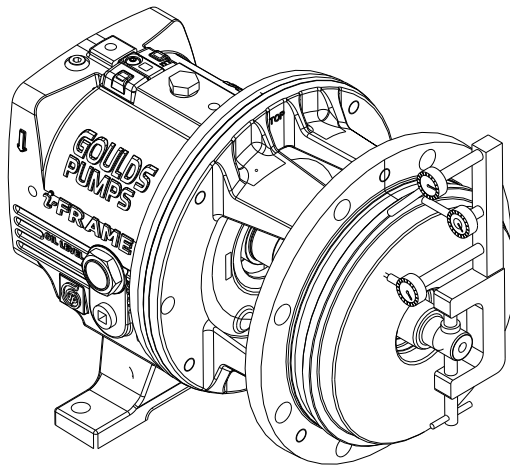
The mechanical seal must have an appropriate seal-flush system. Otherwise, excess heat generation and seal failure can occur.

---

1. Assemble the seal chamber.
  - a) Install the seal-chamber cover or backplate (184) and fasten with nuts (370H).

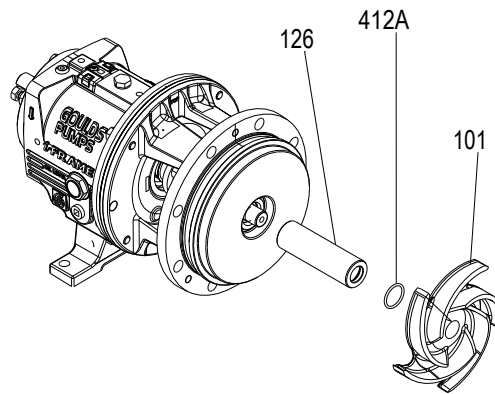


- b) Check the seal-chamber cover runout.



Rotate the indicator through 360 degrees. If the total indicator reading is greater than 0.005 in. (0.13 mm), determine the cause and correct the issue before you proceed.

- c) Install the shaft sleeve (126).



2. Mark the shaft and sleeve at the face of the seal chamber.
3. Continue the complete reassembly of the pump, except for the mechanical seal.
4. Set the impeller clearance.  
Refer to the Impeller clearance setting section for more information.
5. Scribe a line on the marked shaft and sleeve at the face of the seal chamber.
6. Remove the casing, the impeller, and the seal chamber.
7. Install the mechanical-seal rotary unit per the manufacturer's instructions.  
Use the scribed line as the seal-reference dimension. Be sure to secure the rotary unit in place using the set screws in the locking ring.
8. Install the gland, with the stationary seat and gland gaskets installed, on the seal chamber.
9. Reinstall the seal chamber.
10. Complete the reassembly of the pump.

## Install the impeller



**CAUTION:**

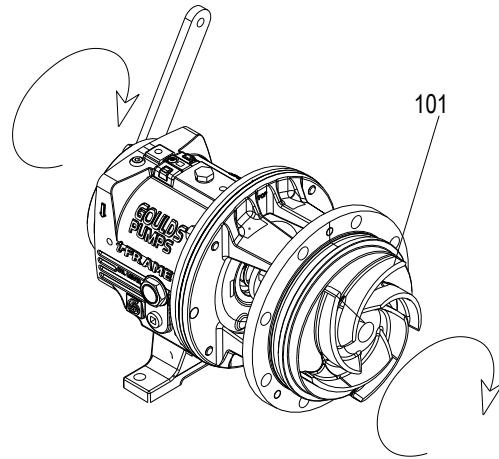
Wear heavy work gloves when you handle impellers. The sharp edges can cause physical injury.

1. Install the impeller.

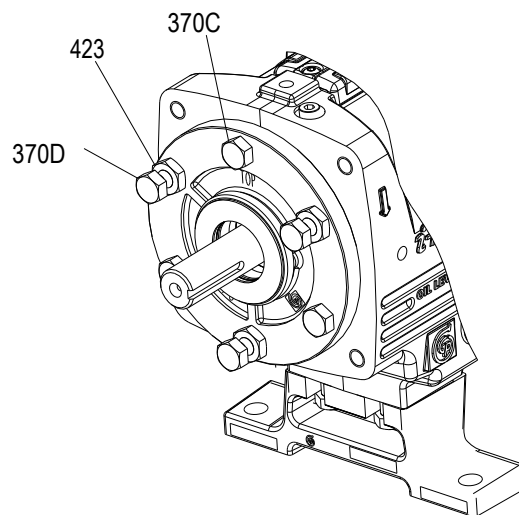
Pump size	Action
STi, MTi, and LTi	Install the impeller (101) with an O-ring (412A).

2. Attach a shaft wrench and a coupling key on the shaft.
  - a) When the impeller (101) makes firm contact with the sleeve (126), raise the shaft wrench (counterclockwise, viewed from the impeller end of the shaft) off of the bench and slam it down (clockwise, viewed from the impeller end of shaft).
  - b) Apply a few sharp raps to tighten the impeller (101).

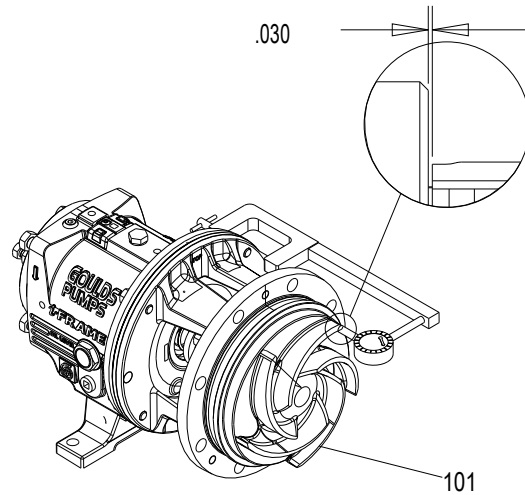




3. Loosen the clamp bolts (370C) and the jack bolts (370D).
4. Measure the gap between the impeller (101) and the seal chamber and stuffing-box cover (184) with a feeler gauge.



5. When you reach a 0.030 in. (0.76 mm) clearance, tighten the clamp bolts (370C), jack bolts (370D), and lock nuts (423).  
This approximates the impeller position when it is set to 0.015 in. (0.38 mm) from the casing. Perform a final impeller adjustment after you install the impeller into the casing.
6. Check the impeller (101) runout.  
Check vane tip to vane tip. If the total indicator reading is greater than 0.005 in. (0.13 mm), determine the cause and correct the issue before you proceed.



For more information on how to set the impeller clearances, refer to the Impeller-clearance checks and Impeller-clearance setting sections in Commissioning, Startup, Operation, and Shutdown.

## Attach the i-ALERT™ Condition Monitor to the pump

---



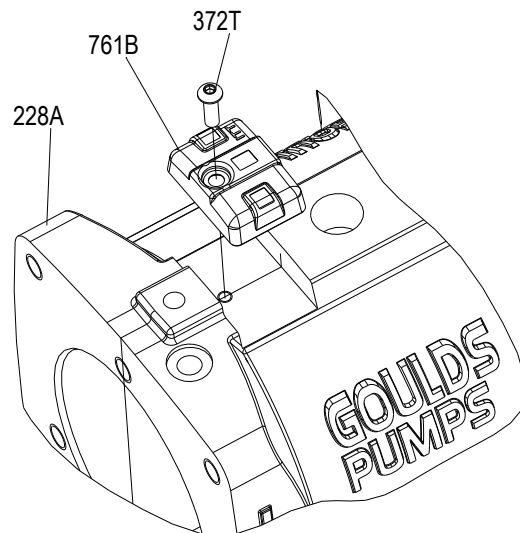
### CAUTION:

Always wear protective gloves. The pump and condition monitor can be hot.

---

### Tools required:

- 5/32 inch hex wrench
1. Attach the condition monitor (761B) to the bearing frame (228A) using the hex-head screw (372T) provided.



2. Tighten the hex-head screw with a 5/32 inch hex wrench to 6 ft-lbs (8 Nm).

## Post-assembly checks

Perform these checks after you assemble the pump, then continue with pump startup:

- Rotate the shaft by hand in order to make sure that it rotates easily and smoothly and that there is no rubbing.
- Open the isolation valves and check the pump for leaks.

## Install the back pull-out assembly (except HT 3196)



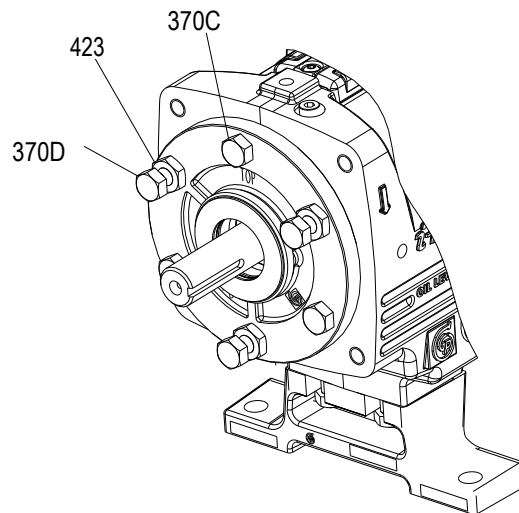
---

**CAUTION:**

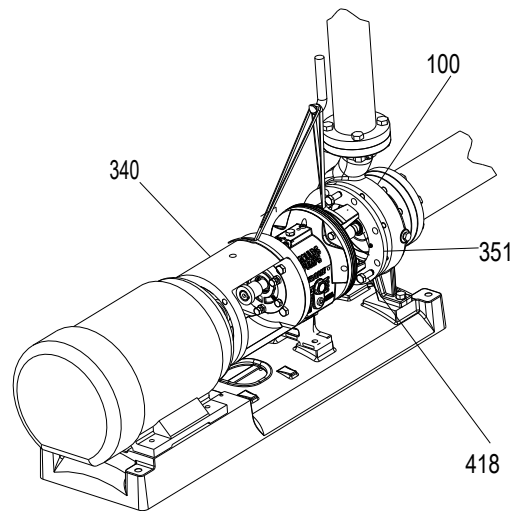
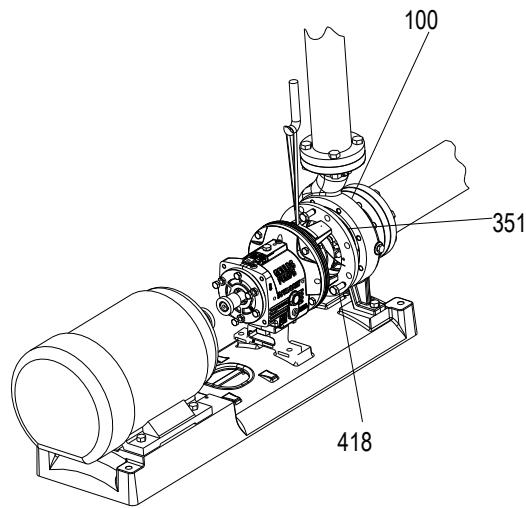
Never remove the back pull-out assembly without assistance.

---

1. Clean the casing fit and install the casing gasket (351) on the seal chamber and stuffing-box cover.
2. Loosen the clamping bolts (370C) and jack bolts (370D) on the bearing housing.



3. Install the back pull-out assembly in the casing.

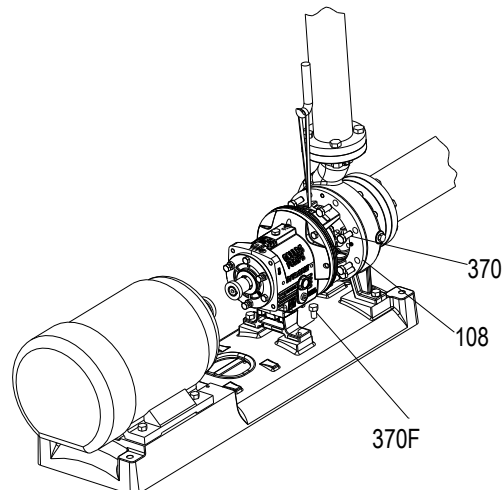


4. Install and then hand-tighten the casing bolts (370).  
Refer to the bolt torque values for information on how to tighten the casing bolts.
5. Install and tighten the casing jackscrews (418).

---

**NOTICE:** Do not overtighten the casing jackscrews. Doing so may result in equipment damage.

---



6. Reinstall the shims under the frame foot and tighten the frame foot to the baseplate.  
Make sure that you use the proper shim. Mount a dial indicator in order to measure the distance between the top of the frame and the baseplate. Make sure that the distance does not change as you tighten the frame-foot bolts.
7. Check the total clearance of the impeller in the casing.  
With new parts, an acceptable range is 0.030 in. (0.76 mm) to 0.065 in. (1.65 mm). If the impeller clearance is outside of this range, you either have the incorrect parts, an improper installation, or too much pipe strain. Determine the cause and correct the problem before you proceed.
8. Adjust the impeller clearance.  
Refer to the Impeller clearance setting section for more information.
9. Replace the auxiliary piping.
10. Fill the pump with the proper lubricant. See Lubricating-oil requirements.
11. Reinstall the coupling guard.  
See Install the coupling guard for more information.

## Assembly references

### Bolt torque values

This table provides the bolt torque values.

**Table 17: Bolt torque, lb-ft (Nm)**

Location	Frame	3196, CV 3196, LF 3196, 3796		NM 3196		3198	
		Lube	Dry	Lube	Dry	Lube	Dry
Casing bolts (370) or casing nuts (425)	6-in. STi	Refer to the maximum torque values in lb-ft (Nm) for casing bolts table.		27 (36)	40 (53)	N/A	N/A
	8-in. STi			20 (27)	30 (40)	35 (47)	53 (71)
	MTi, LTi			27 (36)	40 (53)	35 (47)	53 (71)
	XLT-i, i17			N/A	N/A	N/A	N/A
Frame-to-adapter bolts	All	20 (27)	30 (40)	20 (27)	30 (40)	20 (27)	30 (40)
Bearing-clamp ring bolts (236A) - duplex bearing only	STi, MTi	10* (1.1)	17* (1.9)	10* (1.1)	17* (1.9)	10* (1.1)	17* (1.9)
	LTi	55* (6.2)	83* (9.4)	55* (6.2)	83* (9.4)	55* (6.2)	83* (9.4)
Bearing end cover bolts (371C)	XLT-i, i17	9 (12)	12 (16)	N/A	N/A	N/A	N/A
Dynamic seal capscrews (265)	STi, MTi, LTi	55* (6.2)	83* (9.4)	N/A	N/A	N/A	N/A
	XLT-i, i17	9 (12)	12 (16)	N/A	N/A	N/A	N/A
* Values are in lb-in. (Nm)							

This table provides the maximum torque values for casing bolts.

**Table 18: Maximum torque values in lb-ft (Nm) for casing bolts**

		Models 3196, CV 3196 LF 3196, 3796 with 150 lb (68 kg) casing flanges				Model HT 3196 and all models with 300 lb (136 kg) casing flanges	
		Material specification					
		Ductile iron casing with A307 Grade B casing bolts		Alloy casing with (304SS) F593 Grade 1 or (316SS F593) Grade 2 casing bolts		Ductile iron and alloy casings with A193 grade B7 casing bolts	
Frame	Casing bolt diameter (in.)	Lube	Dry	Lube	Dry	Lube	Dry
8 in. STi	0.50	20 (27)	30 (41)	35 (47)	54 (73)	58 (79)	87 (118)
6 in. STi	0.625	39 (53)	59 (80)	71 (96)	107 (145)	115 (156)	173 (235)
MTi	0.625	39 (53)	59 (80)	71 (96)	107 (145)	115 (156)	173 (235)
LTi	0.625	39 (53)	59 (80)	71 (96)	107 (145)	115 (156)	173 (235)

## Shaft-end play

Use this table as a reference for shaft-end play values.

**Table 19: Shaft-end play**

Frame	Double row bearing	Duplex bearing
STi inches (millimeters)	0.0011 (0.028) 0.0019 (0.048)	0.0007 (0.018) 0.0010 (0.025)
MTi inches (millimeters)	0.0013 (0.033) 0.0021 (0.053)	0.0009 (0.023) 0.0012 (0.030)
LTi inches (millimeters)	Not applicable	0.0010 (0.025) 0.0015 (0.038)

## Bearing types

**Table 20: Bearing types**

Frame	Inboard bearing	Outboard bearing	
		Double row	Duplex
STi	6207	3306	7306
MTi	6309	3309	7309
LTi	6311	Not applicable	7310

## Spare parts

Always state the serial number and indicate the part name and item number from the relevant sectional drawing when you order spare parts. It is imperative for service reliability to have a sufficient stock of readily available spare parts.

- Impeller (101)
- Shaft (122A)
- Shaft sleeve (126)
- Outboard bearing (112A)
- Inboard bearing (168A)
- Casing gasket (351)
- Frame-to-adapter gasket (360D)
- Bearing-housing retaining ring (361A)
- Bearing lockwasher (382)
- Bearing locknut (136)

- Impeller O-ring (412A)
- Bearing-housing O-ring (496)
- Outboard labyrinth-seal rotary O-ring (497F)
- Outboard labyrinth-seal stationary O-ring (497G)
- Inboard labyrinth-seal rotary O-ring (497H)
- Inboard labyrinth-seal stationary O-ring (497J)
- Lantern ring half (105) (packed stuffing box)
- Stuffing box packing (106) (packed stuffing box)
- Packing gland (107) (packed stuffing box)
- Impeller gasket (428D) (XLT-i and i17 only)

## Interchangeability drawings

### 3796 interchangeability

**Table 21: 3796 interchangeability drawing**

Description	Shaft and Bearing Frame Assembly	Adapter	Seal Chamber	Impeller	Casing	Size
Model 3796 STi 1-3/8 in. Shaft Dia. Max BHP-40 HP						1x1.5-6 1.5x1.5-8
Model 3796 MTi 1-3/4 in. Shaft Dia. Max BHP-122 HP						2x2-10 3x3-10 4x4-10 3x3-13 4x4-13 6x6-13
Model 3796 LTi 2-1/8 in. Shaft Dia. Max BHP-200 HP						2x2-10 3x3-10 4x4-10 3x3-13 4x4-13 6x6-13

## Lubrication conversion

### Frame lubrication conversion

**NOTICE:**

- Never mix greases of different consistencies (NLGI 1 or 3 with NLGI 2) or with different thickeners. For example, never mix a lithium-based grease with a polyurea-based grease. Doing so may result in decreased performance.
- Remove the bearings and old grease if you need to change the grease type or consistency. Failure to do so may result in equipment damage or decreased performance.

Use a grease that is suitable for high temperatures when you have frame pumpage temperatures greater than 350°F (177°C). Ensure that mineral-oil greases have oxidation stabilizers and a consistency of NLGI 3.

Most pumps use Sunoco 2EP grease. High temperature units with a pumpage temperature greater than 350° F (177°C) use Mobil SCH32.

This table shows which brand of grease to use when lubricating the pump.

**Table 22: Lubricating-grease requirements**

	Pumpage temperature less than 350°F (177°C)	Pumpage temperature greater than 350°F (177°C)
NGLI consistency	2	3
Mobil	Mobilux EP2	SCH32
Exxon	Unirex N2	Unirex N3
Sunoco	Multipurpose 2EP	N/A
SKF	LGMT 2	LGMT 3

## Convert from greased-for-life or regreaseable to oil-lubricated bearings

1. Remove the plug from the oil-return slot in the frame located under the radial bearing. Use this table as a guide.

Pump model	Action
STi	Remove the epoxy from the return slot.
MTi, LTi	Remove the set screw installed in the oil-return hole.

2. Remove the plug from the oil-return hole in the bearing housing (134).

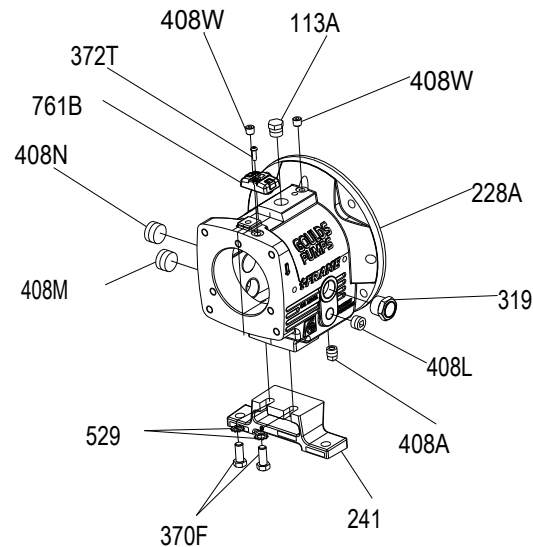
**NOTICE:** For the LTi, the bearing housing (134) and clamp ring (253B) require replacement. Failure to do so may result in decreased performance.

3. Replace both bearings with unshielded, oil-lubricated bearings.

**Table 23: Bearing types**

Frame	Inboard bearing	Outboard bearing	
		Double row	Duplex
STi	6207	3306	7306
MTi	6309	3309	7309
LTi	6311	Not applicable	7310

4. Remove the grease fittings (193) to prevent accidental greasing.  
Two plugs (408H) are required to replace the two grease fittings.





Item Number	Size	Description	Quantity
113	1/4"-18 NPT	External hex/square head pipe plug	2
113A	1/2"-14 NPT	External hex/square head pipe plug	1
193	1/4"-18 NPT	Grease fitting	2
228	- - - -	Bearing frame	1
241	- - - -	Frame foot	1
370F	1/2"	Hex cap screw	2
408A	3/8"-18 NPT	External square head pipe plug (magnetic)	1
408J	1/4"-18 NPT	External hex/square head pipe plug	1
408L	1/2"-14 NPT	Square countersunk headless pipe plug	1
408M	1" 11-1/2" NPT	Square countersunk headless pipe plug	1
529	1/2"	Light helical spring lock washer	2

### Conversion from flood-oil to pure-oil mist

Consult your local ITT representative for further information on this topic.

### Convert from flood oil to regreaseable

Consult your local ITT representative for further information on this topic.

# Troubleshooting

## Operation troubleshooting

Symptom	Cause	Remedy
The pump is not delivering liquid.	The pump is not primed.	Re-prime the pump and check that the pump and suction line are full of liquid.
	The suction line is clogged.	Remove the obstructions.
	The impeller is clogged.	Back-flush the pump in order to clean the impeller.
	The shaft is rotating in the wrong direction.	Change the rotation. The rotation must match the arrow on the bearing housing or pump casing.
	The foot valve or suction pipe opening is not submerged enough.	Consult an ITT representative for the proper submersion depth. Use a baffle in order to eliminate vortices.
	The suction lift is too high.	Shorten the suction pipe.
	The vent line is not connected.	Connect the vent line to expel air.
The pump is not producing the rated flow or head.	The gasket or O-ring has an air leak.	Replace the gasket or O-ring.
	The stuffing box has an air leak.	Replace or readjust the packing or the mechanical seal.
	The impeller is partly clogged.	Back-flush the pump in order to clean the impeller.
	The clearance between the impeller and the pump casing is excessive.	Adjust the impeller clearance.
	The suction head is not sufficient.	Make sure that the suction-line shutoff valve is fully open and that the line is unobstructed.
	The impeller is worn or broken.	Inspect and replace the impeller if necessary.
The pump starts and then stops pumping.	The pump was not primed properly.	Re-prime the pump and check that the pump and suction line are full of liquid.
	The suction line has air or vapor pockets.	Rearrange the piping in order to eliminate air pockets.
	The suction line has an air leak.	Repair the leak.
The bearings are running hot.	The pump and driver are not aligned properly.	Realign the pump and driver.
	The lubrication has not been applied properly.	Check the lubricant for suitability and level.
	The lubrication is not cooled properly.	Check the cooling system.
The pump is noisy or vibrates.	The pump and driver are not aligned properly.	Realign the pump and driver.
	The impeller is partly clogged.	Back-flush the pump to clean the impeller.
	The impeller or shaft is broken or bent.	Replace the impeller or shaft as necessary.
	The foundation is not rigid.	Tighten the hold-down bolts of the pump and motor or adjust the stilts.
	The bearings are worn.	Replace the bearings.
	The suction or discharge piping is not anchored or properly supported.	Anchor the suction or discharge piping as necessary according to recommendations in the Hydraulic Institute Standards Manual.
	The pump is cavitating.	Locate and correct the system problem.

Symptom	Cause	Remedy
There is excessive leakage from the stuffing box.	The packing gland is not adjusted properly.	Tighten the gland nuts.
	The stuffing box is not packed properly.	Check the packing and repack the box.
	The mechanical-seal parts are worn.	Replace the worn parts.
	The mechanical seal is overheating.	Check the lubrication and cooling lines.
	The shaft sleeve is scored.	Machine or replace the shaft sleeve as necessary.
The motor requires excessive power.	The discharge head has dropped below the rated point and is pumping too much liquid.	Install a throttle valve. If it does not help, then trim the impeller diameter. If this does not help, then consult an IIT representative.
	The liquid is heavier than expected.	Check the specific gravity and viscosity.
	The stuffing-box packing is too tight.	Readjust the packing. If the packing is worn, then replace the packing.
	Rotating parts are rubbing against each other.	Check the parts that are wearing for proper clearances.
	The impeller clearance is too tight.	Adjust the impeller clearance.

## Alignment troubleshooting

Symptom	Cause	Remedy
Horizontal (side-to-side) alignment cannot be obtained (angular or parallel).	The driver feet are bolt-bound.	Loosen the pump's hold-down bolts, and slide the pump and driver until you achieve horizontal alignment.
	The baseplate is not leveled properly and is probably twisted.	<ol style="list-style-type: none"> <li>Determine which corners of the baseplate are high or low.</li> <li>Remove or add shims at the appropriate corners.</li> <li>Realign the pump and driver.</li> </ol>

## Assembly troubleshooting

Symptom	Cause	Remedy
There is excessive shaft end play.	The internal clearance of the bearings exceeds the recommended amount.	Replace the bearings with a bearing of the correct type.
	The snap ring is loose in the bearing-housing groove.	Re-seat the snap ring.
There is excessive shaft and sleeve runout.	The sleeve is worn.	Replace the sleeve.
	The shaft is bent.	Replace the shaft.
There is excessive bearing-frame flange runout.	The shaft is bent.	Replace the shaft.
	The flange of the bearing frame is distorted.	Replace the bearing-frame flange.
There is excessive frame-adapter runout.	There is corrosion on the frame adapter.	Replace the frame adapter.
	The adapter-to-frame gasket is not seated properly.	Re-seat the frame adapter and make sure that the adapter-to-frame gasket is seated properly.
There is excessive seal chamber or stuffing-box cover runout.	The seal chamber or the stuffing-box cover is not properly seated in the frame adapter.	Re-seat the seal chamber or stuffing-box cover.
	There is corrosion or wear on the seal chamber or stuffing-box cover.	Replace the seal chamber or stuffing-box cover.
There is excessive vane-tip runout of the impeller.	The vane is bent.	Replace the impeller.

## i-ALERT™ Condition Monitor troubleshooting

Symptom	Cause	Remedy
There are no green or red flashing LEDs.	The battery is dead.	Replace the condition monitor.
	The unit is deactivated.	Activate the condition monitor.
	The unit is malfunctioning.	Consult your ITT representative for a warranty replacement.
The red LEDs are flashing, but the temperature and vibration are at acceptable levels.	The baseline is bad.	Check the temperature and vibration levels and reset the condition monitor.
	The unit is malfunctioning.	Consult your ITT representative for a warranty replacement.

# Parts Listings and Cross-Sectional Drawings

## Parts list

**Table 24: Construction material and quantity**

Item	Quantity	Part name	Pump Material				
			All D.I.	D.I. With 316 SS impeller	All 316SS	All CD4MCu	All Alloy 20
100	1	Casing	1012	1012	1203	1216	1204
101	1	Impeller	1013	1203	1203	1216	1204
105	1	Lantern Ring	Teflon				
106	1 set	Stuffing Box Packing	Non-asbestos braid				
107	1	Gland—Packed Box	1203			1204	
108	1	Frame Adapter	1013				
109C	1***	Outboard Bearing End Cover	1001				
112A	1	Outboard Bearing	Double row angular contact (duplex pair for LTi)				
113	2	Plug—Grease Relief	2210				
113B	1	Plug—Oil Fill	2210				
122	1	Shaft—Without Sleeve	2229			2230	
122	1	Shaft—With Sleeve	2238				
126	1	Shaft Sleeve	2229				2230
134	1	Bearing Housing	1001				
136	1	Bearing Locknut	Steel				
168A	1	Radial Bearing	Single row ball				
184	1	Seal Chamber/Stuffing Box Cover	1012	1012	1203	1216	1204
193	2	Grease Fitting	Steel				
228	1	Bearing Frame	STi 1013, All others - 1001				
236A	10	Cap Screw—Bearing Clamp Ring	2210				
239	1	Support, Casing	—	—	2201*	2201*	2201*
241	1	Frame Foot	1001				
248	1	Oil Thrower	2210				
250	1	Gland—Mechanical Seal	Material varies				
253B	1	Bearing Clamp Ring	2210				
319	1	Sight Glass	Glass/steel				
332A	1	Outboard Labyrinth Seal w/O-rings	Brass ASTM B505-96				
333A	1	Inboard Labyrinth Seal w/O-rings	Brass ASTM B505-96				
351	1	Casing Gasket	Aramid fiber w/EPDM				
353	4	Gland Stud	2228				
355	4	Gland Stud Nut	2228				
358	1	Plug—Casing Drain	2210		2229	2230	
358Y	1 ***	Plug, Impeller	2229			2230	

Parts Listings and Cross-Sectional Drawings (Continued)

Item	Quantity	Part name	Pump Material				
			All D.I.	D.I. With 316 SS impeller	All 316SS	All CD4MCu	All Alloy 20
360C	1 ***	Gasket—Thrust End Cover	Buna				
360D	1	Gasket—Frame-to-Adapter	Buna				
360Q	1	Gasket—Gland-to-Stuffing Box Cover	Material varies				
361A	1	Retaining Ring	Steel				
370	****	Bolt—Adapter to Case	2210		2228		
370B	4	Bolt—Frame-to-Adapter	2210				
370C	**	Clamp Bolt —Bearing Housing	2210				
370D	**	Jack Bolt—Bearing Housing	2210				
370F	2	Bolt—Frame Foot to Frame	2210				
370H	2	Stud—Stuffing Box Cover-to-Adapter	2228				
370Y	2	Bolt—Cap Casing to Support	—	—	2210*		
371C	6 ***	Cap Screw-End Cover to Bearing Housing	2210				
382	1	Bearing Lockwasher	Steel				
383	1	Mechanical Seal	Material varies				
400	1	Coupling Key	2210				
408A	1	Plug—Oil Drane	2210				
408H	4	Plug—Oil Mist Connection	2210				
408J	1	Plug—Oiler	2210				
408L	1	Plug—Oil Cooler Inlet	2210				
408M	1	Plug—Oil Cooler Outlet	2210				
408N	1	Plug—Sight Glass	2210				
412A	1	O-Ring, Graphoil Impeller	—	—	*		
418	3	Jack Bolt—Adapter-to-Case	2228				
423	3	Jam Nut—Bearing Housing Jack Bolt	2210				
423B	2	Hex Nut—Stuffing Box Cover to Adapter	2228				
428	1	Gasket, Plug	Teflon				
437	1	Lockwasher, Casing to Support	—	—	2210*		
458Y	1 ***	Plug, Impeller	2229			2230	
469B	2	Dowel Pin—Frame-to-Adapter	Steel				
494	1	Tube Element, Finned Cooled	304SS / Copper				
496	1	O-Ring Bearing Housing	Buna N				
412A	1	O-Ring—Impeller	Viton				
497F	1	O-Ring—Outboard Labyrinth Rotor	Viton				
497G	1	O-Ring—Outboard Labyrinth Stator	Viton				
497H	1	O-Ring—Inboard Labyrinth Rotor	Viton				
497J	1	O-Ring—Inboard Laybrinth Stator	Viton				
497L	1	O-Ring Internal (inboard)	Viton				

Item	Quantity	Part name	Pump Material				
			All D.I.	D.I. With 316 SS impeller	All 316SS	All CD4MCu	All Alloy 20
497N	1	O-Ring Internal (outboard)	Viton				
503	1	Adapter Ring	1013				
529	1	Lockwasher—Frame Foot-to-Bearing Frame	Steel				
555	1	Tube, Finned Cooling Assembly	304AA / Copper				
555A	1	Tube, Ftg Male (Frame Cooling)	Brass				
555B	2	Connector, Thermocouple (Frame Cooling)	Brass				
555C	2	Elbow, Female (Frame Cooling)	Brass				
555D	1	Conn TC Sealed PWR	Cast iron				
761B	1	i-ALERT™ Condition Monitor	Stainless steel/epoxy				

**Table 25: Construction material and quantity (continued)**

Item	Quantity	Part name	Pump Material				
			All 317SS	All Monel	All Nickel	All Hastelloy C	All Hastelloy B
100	1	Casing	1209	1119	1601	1215	1217
101	1	Impeller	1209	1119	1601	1215	1217
105	1	Lantern Ring	Teflon				
106	1 set	Stuffing Box Packing	Non-asbestos braid				
107	1	Gland—Packed Box	1209	1119	1601	1215	1217
108	1	Frame Adapter	1013				
109C	1***	Outboard Bearing End Cover	1001				
112A	1	Outboard Bearing	Double row angular contact (duplex pair for LTi)				
113	2	Plug—Grease Relief	2210				
113B	1	Plug—Oil Fill	2210				
122	1	Shaft—Less Sleeve	2232	2150	2155	2248	2247
122	1	Shaft—With Sleeve	2229				
126	1	Shaft Sleeve	2232	2150	2155	2248	2247
134	1	Bearing Housing	1001				
136	1	Bearing Locknut	Steel				
168A	1	Radial Bearing	Single row ball				
184	1	Seal Chamber/Stuffing Box Cover	1209	1119	1601	1215	1217
193	2	Grease Fitting	Steel				
228	1	Bearing Frame	STi-1013, All others - 1001				
236A	10	Cap Screw—Bearing Clamp Ring	2210				
239	1	Support, Casing	—	—	—	2201*	—
241	1	Frame Foot	1001				
248	1	Oil Thrower	2210				
250	1	Gland—Mechanical Seal	Material varies				
253B	1	Bearing Clamp Ring	2210				
319	1	Sight Glass	Glass/steel				

Parts Listings and Cross-Sectional Drawings (Continued)

Item	Quantity	Part name	Pump Material				
			All 317SS	All Monel	All Nickel	All Hastelloy C	All Hastelloy B
332A	1	Outboard Labyrinth Seal w/O-rings	Brass ASTM B505-96				
333A	1	Inboard Labyrinth Seal w/O-rings	Brass ASTM B505-96				
351	1	Casing Gasket	Aramid fiber w/EPDM				
353	4	Gland Stud	2232	2150	2155	2248	2247
355	4	Gland Stud Nut	2232	2150	2155	2248	2247
358	1	Plug—Casing Drain	2232	2150	2156	2248	2247
358Y	1 ***	Plug, Impeller	2232	2150	2156	2248	2156
360C	1 ***	Gasket—Thrust End Cover	Buna				
360D	1	Gasket—Frame-to-Adapter	Buna				
360Q	1	Gasket—Gland-to-Stuffing Box Cover	Material varies				
361A	1	Retaining Ring	Steel				
370	****	Bolt—Adapter to Case	2228				
370B	4	Bolt—Frame-to-Adapter	2210				
370C	**	Clamp Bolt —Bearing Housing	2210				
370D	**	Jack Bolt—Bearing Housing	2210				
370F	2	Bolt—Frame Foot to Frame	2210				
370H	2	Stud—Stuffing Box Cover-to-Adapter	2228				
370H	2	Bolt—Cap Casing to Support	–	–	–	2210*	–
371C	6 ***	Cap Screw-End Cover to Bearing Housing	2210				
382	1	Bearing Lockwasher	Steel				
383	1	Mechanical Seal	Material varies				
400	1	Coupling Key	2210				
408A	1	Plug—Oil Drane	2210				
408H	4	Plug—Oil Mist Connection	2210				
408J	1	Plug—Oiler	2210				
408L	1	Plug—Oil Cooler Inlet	2210				
408M	1	Plug—Oil Cooler Outlet	2210				
408N	1	Plug—Sight Glass	2210				
412A	1	O-Ring, Graphoil Impeller	–	–	–	*	–
418	3	Jack Bolt—Adapter-to-Case	2228				
423	3	Jam Nut—Bearing Housing Jack Bolt	2210				
423B	2	Hex Nut—Stuffing Box Cover to Adapter	2228				
428	1	Gasket, Plug	Teflon				
437	1	Lockwasher, Casing to Support	–	–	–	2210*	–
458Y	1***	Plug, Impeller	2232	2150	2155	2248	2247
469B	2	Dowel Pin—Frame-to-Adapter	Steel				
494	1	Tube Element, Finned Cooled	304SS / Copper				
496	1	O-Ring Bearing Housing	Buna N				
412A	1	O-Ring—Impeller	Viton				



Item	Quantity	Part name	Pump Material				
			All 317SS	All Monel	All Nickel	All Hastelloy C	All Hastelloy B
497F	1	O-Ring—Outboard Labyrinth Rotor	Viton				
497G	1	O-Ring—Outboard Labyrinth Stator	Viton				
497H	1	O-Ring—Inboard Labyrinth Rotor	Viton				
497J	1	O-Ring—Inboard Laybrinth Stator	Viton				
497L	1	O-Ring Internal (inboard)	Viton				
497N	1	O-Ring Internal (outboard)	Viton				
503	1	Adapter Ring	1013				
529	1	Lockwasher—Frame Foot-to-Bearing Frame	Steel				
555	1	Tube, Finned Cooling Assembly	304AA / Copper				
555A	1	Tube, Ftg Male (Frame Cooling)	Brass				
555B	2	Connector, Thermocouple (Frame Cooling)	Brass				
555C	2	Elbow, Female (Frame Cooling)	Brass				
555D	1	Conn TC Sealed PWR	Cast iron				
761B	1	i-ALERT™ Condition Monitor	Stainless steel/epoxy				

**Table 26: Construction material and quantity (continued)**

Item	Quantity	Part name	Pump Material (3196, HT 3196, CV 3196, 3796)	Pump Material (NM 3196)	Pump Material (3198)
			All Titanium	Vinylester	D.I./Teflon
100	1	Casing	1220	6929	9639
101	1	Impeller	1220	6929	6944
105	1	Lantern Ring	Teflon	—	—
106	1 set	Stuffing Box Packing	Non-asbestos braid	—	—
107	1	Gland—Packed Box	1220	—	—
108	1	Frame Adapter	1013		
109C	1***	Outboard Bearing End Cover	1001		
112A	1	Outboard Bearing	Double row angluar contact (duplex pair for LT <sub>i</sub> )		
113	2	Plug—Grease Relief	2210		
113B	1	Plug—Oil Fill	2210		
122	1	Shaft—Less Sleeve	2156	2229	—
122	1	Shaft—With Sleeve	2229		6947
126	1	Shaft Sleeve	2156	2229	—
134	1	Bearing Housing	1001		
136	1	Bearing Locknut	Steel		
168A	1	Radial Bearing	Single row ball		
184	1	Seal Chamber/Stuffing Box Cover	1220	6929	9639
193	2	Grease Fitting	Steel		
228	1	Bearing Frame			
236A	10	Cap Screw—Bearing Clamp Ring	2210		
239	1	Support, Casing	—	—	—

Parts Listings and Cross-Sectional Drawings (Continued)

Item	Quantity	Part name	Pump Material (3196, HT 3196, CV 3196, 3796)	Pump Material (NM 3196)	Pump Material (3198)
			All Titanium	Vinylester	D.I./Teflon
241	1	Frame Foot	1001		
248	1	Oil Thrower	2210		
250	1	Gland—Mechanical Seal	Material varies		
253B	1	Bearing Clamp Ring	2210		
319	1	Sight Glass	Glass/steel		
332A	1	Outboard Labyrinth Seal w/O-rings	Brass ASTM B505-96		
333A	1	Inboard Labyrinth Seal w/O-rings	Brass ASTM B505-96		
351	1	Casing Gasket	Aramid fiber w/EPDM		
353	4	Gland Stud	2156	2229	2229
355	4	Gland Stud Nut	2156	2229	2229
358	1	Plug—Casing Drain	2156	—	—
358Y	1 ***	Plug, Impeller	2156	—	—
360C	1 ***	Gasket—Thrust End Cover	Buna		
360D	1	Gasket—Frame-to-Adapter	Buna		
360Q	1	Gasket—Gland-to-Stuffing Box Cover	Material varies		
361A	1	Retaining Ring	Steel		
370	****	Bolt—Adapter to Case	2228		
370B	4	Bolt—Frame-to-Adapter	2210		
370C	**	Clamp Bolt —Bearing Housing	2210		
370D	**1	Jack Bolt—Bearing Housing	2210		
370F	2	Bolt—Frame Foot to Frame	2210		
370H	2	Stud—Stuffing Box Cover-to-Adapter	2228		
370Y	2	Bolt—Cap Casing to Support	—	—	—
371C	6 ***	Cap Screw-End Cover to Bearing Housing	2210		
382	1	Bearing Lockwasher	Steel		
383	1	Mechanical Seal	Material varies		
400	1	Coupling Key	2210		
408A	1	Plug—Oil Drane	2210		
408H	4	Plug—Oil Mist Connection	2210		
408J	1	Plug—Oiler	2210		
408L	1	Plug—Oil Cooler Inlet	2210		
408M	1	Plug—Oil Cooler Outlet	2210		
408N	1	Plug—Sight Glass	2210		
412A	1	O-Ring, Graphoil Impeller	—	—	—
418	3	Jack Bolt—Adapter-to-Case	2228		
423	3	Jam Nut—Bearing Housing Jack Bolt	2210		
423B	2	Hex Nut—Stuffing Box Cover to Adapter	2228		

Item	Quantity	Part name	Pump Material (3196, HT 3196, CV 3196, 3796)	Pump Material (NM 3196)	Pump Material (3198)
			All Titanium	Vinylester	D.I./Teflon
428	1	Gasket, Plug	Teflon		
437	1	Lockwasher, Casing to Support	–	–	–
458Y	1 ***	Plug, Impeller	2156	–	–
469B	2	Dowel Pin—Frame-to-Adapter	Steel		
494	1	Tube Element, Finned Cooled	304SS / Copper		
496	1	O-Ring Bearing Housing	Buna N		
412A	1	O-Ring—Impeller	Viton		
497F	1	O-Ring—Outboard Labyrinth Rotor	Viton		
497G	1	O-Ring—Outboard Labyrinth Stator	Viton		
497H	1	O-Ring—Inboard Labyrinth Rotor	Viton		
497J	1	O-Ring—Inboard Laybrinth Stator	Viton		
497L	1	O-Ring Internal (inboard)	Viton		
497N	1	O-Ring Internal (outboard)	Viton		
503	1	Adapter Ring	1013		
529	1	Lockwasher—Frame Foot-to-Bearing Frame	Steel		
555	1	Tube, Finned Cooling Assembly	304AA / Copper		
555A	1	Tube, Ftg Male (Frame Cooling)	Brass		
555B	2	Connector, Thermocouple (Frame Cooling)	Brass		
555C	2	Elbow, Female (Frame Cooling)	Brass		
555D	1	Conn TC Sealed PWR	Cast iron		
761B	1	i-ALERT™ Condition Monitor	Stainless steel/epoxy		

**Table 27: Key to table symbols**

–	Not applicable
*	Only applicable for HT 3196
**	3 for STi, MTi, LTi
****	4 for 6 in. STi 8 for 8 in. STi and MTi 16 for 13 in. MTi, LTi 12 for 10 in. MTi, LTi

**Table 28: Material-code reference**

Material	Goulds material code	ASTM	Din	ISO	JIS
Cast Iron	1001	A48 CLASS 20			
Ductile Iron	1012	A395 Gr60-40-18			
Ductile Iron	1013	A536 Gr60-42-10			
CD4MCu	1041	A744 CD4MCU			
Monel	1119	A494 GrM-35-1			
316SS	1203	A744 CF-8M	1.4408		G5121 (SC514)
Alloy 20	1204	A744CN-7M	1.4500		

Parts Listings and Cross-Sectional Drawings (Continued)

Material	Goulds material code	ASTM	Din	ISO	JIS
317SS	1209	A744CG-8M	1.4448		
Hastelloy C	1215	A494 CW-6M			
CD4MCu	1216	A744CD4MCU	9.4460		
Hastelloy B	1217	A494 N-7M			
Titanium	1220	B367 GrC-3			
Nickel	1601	A494 GrCZ100			
Monel	2150	B164 UNS N04400			
Nickel	2155	B160 UNS N02200			
Titanium	2156	B348 Gr2			
Carbon Steel	2201	A576 Gr. 1018 and 1020			
Carbon Steel	2210	A108Gr1211			
304SS	2228	A276 Type 304			
316SS	2229	A276 Type 316			
Alloy 20	2230	B473 (N08020)			
317SS	2232	A276			
4150 Steel	2237	A322Gr4150			
4140 Steel	2238	A434Gr4140			
4140 Steel	2239	A193 Gr. B7			
Alloy B-2	2247	B335 (N10665)			
Alloy C-276	2248	B574 (N10276)			
GMP-2000	6929	N/A			
PFA Lined Steel	6944	N/A			
PFA Lined 316SS	6947	N/A			
PFA Lined Ductile Iron	9639	N/A			

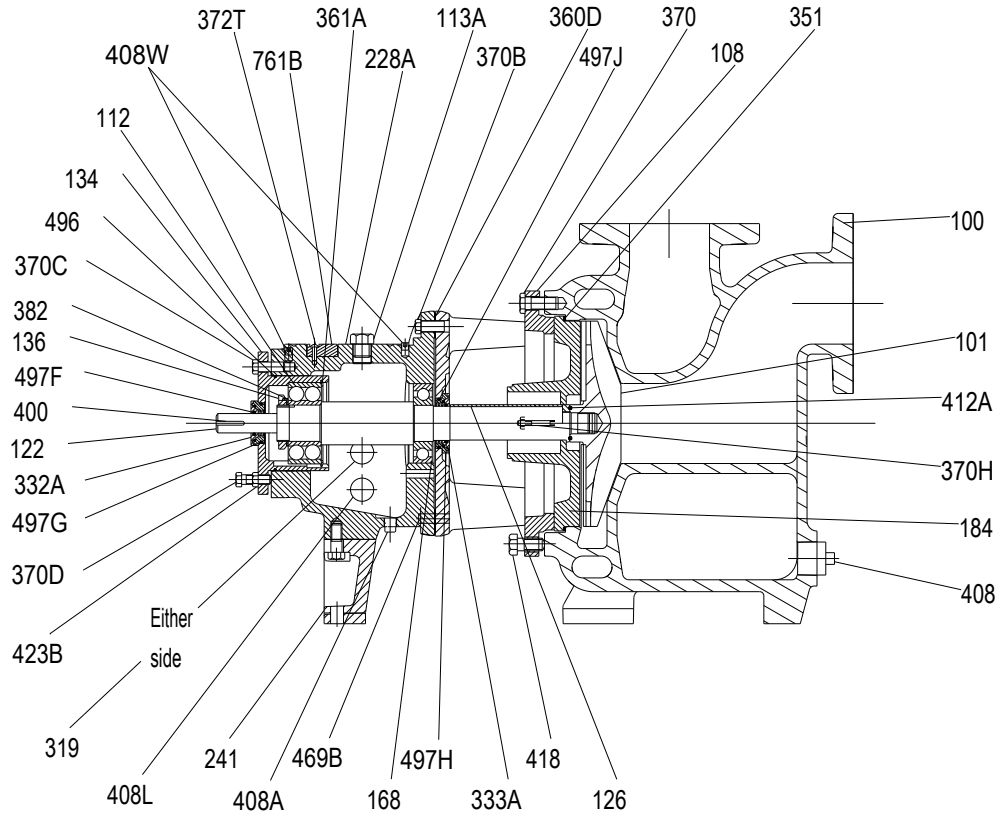


Figure 28: 3796 cross-sectional drawing

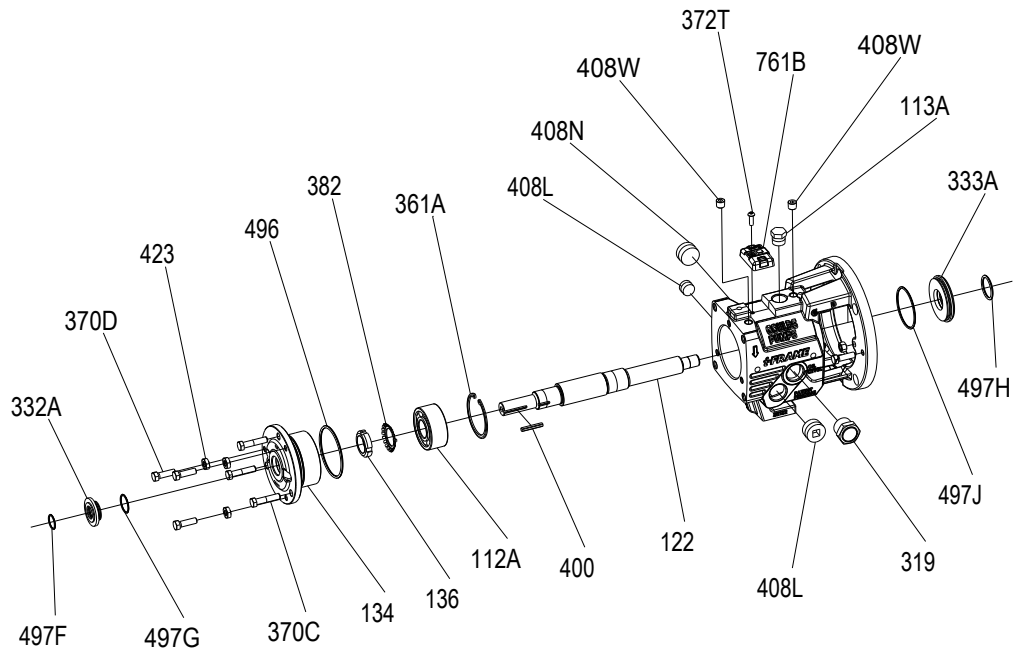
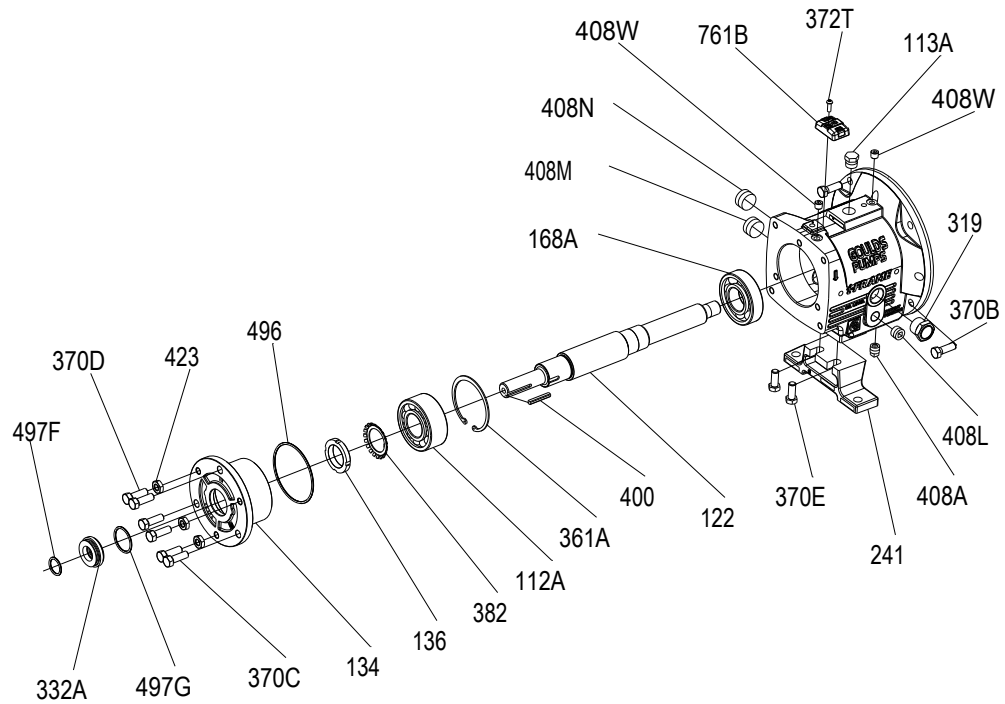
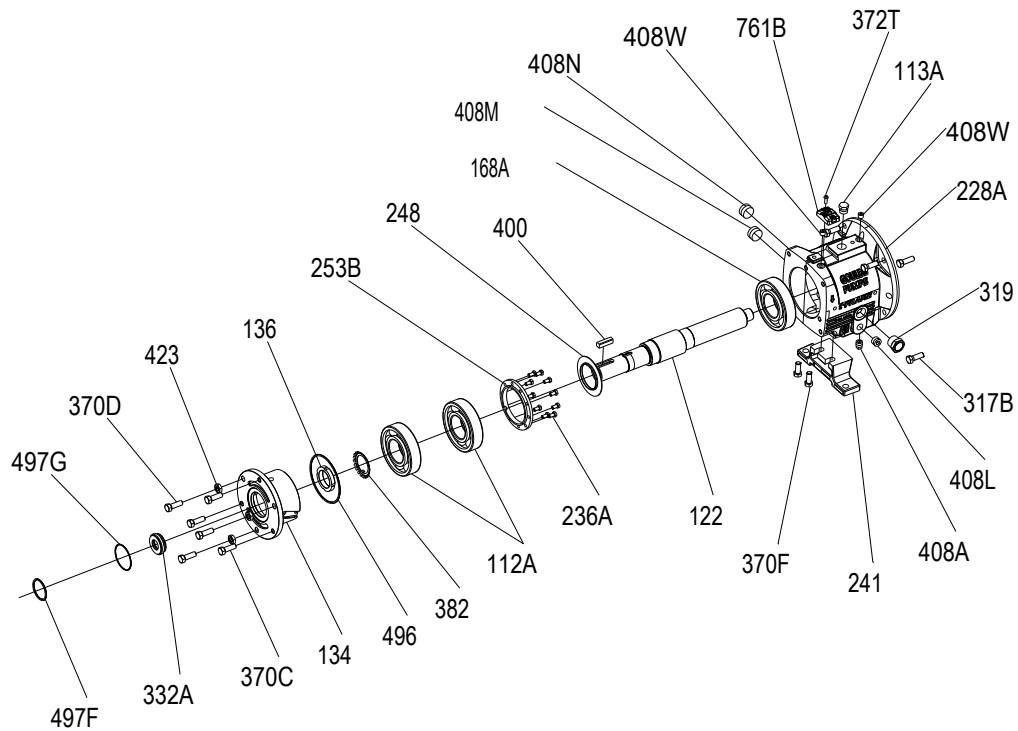


Figure 29: STi bearing-frame exploded view



**Figure 30: MTi bearing-frame exploded view**



**Figure 31: LTi bearing-frame exploded view**

The finned-tube oil cooler is standard on HT 3196 and optional on all other models.

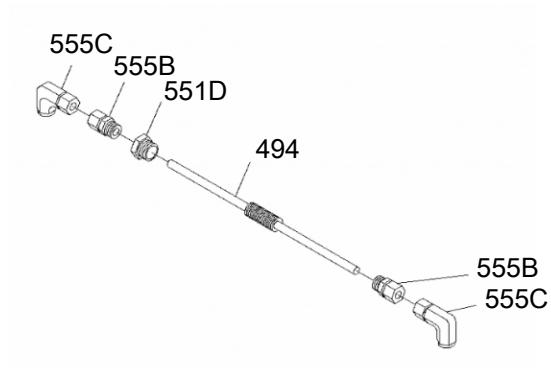


Figure 32: Finned-tube oil cooler exploded view

# Other Relevant Documentation or Manuals

## For additional documentation

For any other relevant documentation or manuals, contact your ITT representative.







# ITT

## How did we measure up?

It is our sincere intention to exceed our customer's expectations on every order. Tell us if we achieved our goal on your order. Please take our customer satisfaction survey online at:

[www.ittindustrialproducts.com/feedbacksurvey.html](http://www.ittindustrialproducts.com/feedbacksurvey.html)

We appreciate you taking the time to provide your feedback. Thank you for buying ITT pumps, parts, and controls.

## Contact Us

Goulds Pumps has offices, warehouses and manufacturing facilities worldwide, while doing business in over 100 countries in the Americas, Europe, the Middle East and Asia Pacific. To find your nearest distributor, use our convenient Sales and Service Locator found on our Web site.

### *Find Sales & Service*



*Worldwide Sales and  
Service Contracts*

Visit our Web site for the latest version of this document and more information  
<http://www.gouldspumps.com>

---

240 Fall Street  
Seneca Falls, NY 13148  
USA  
Tel. 1-800-446-8537  
Fax (315) 568-2418